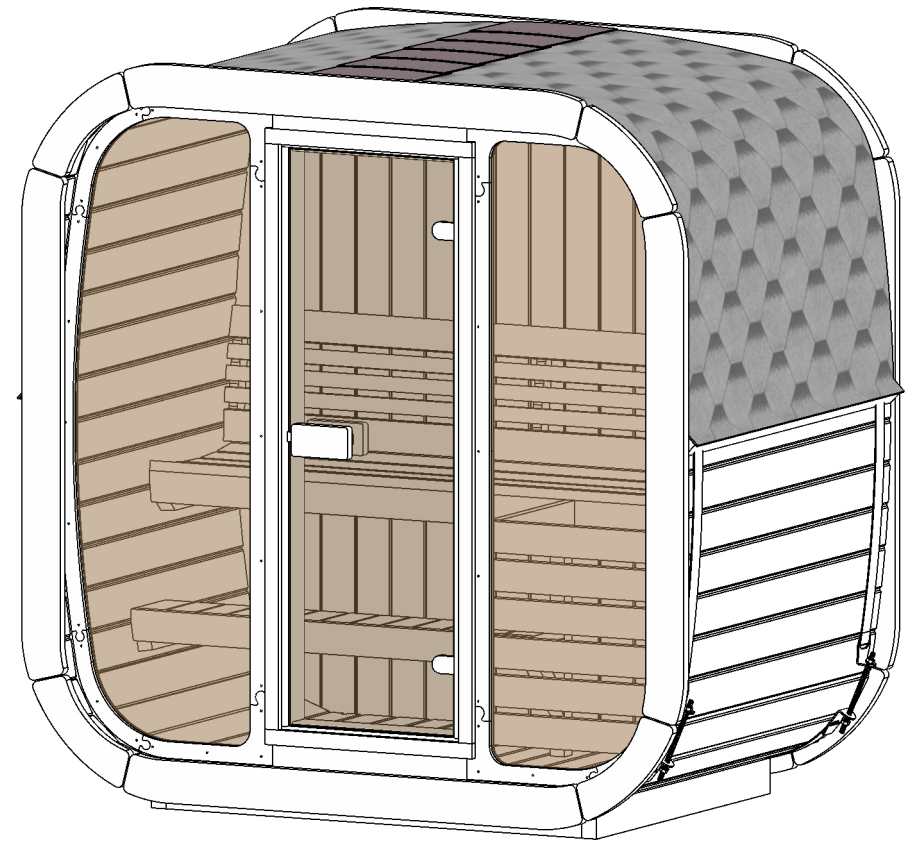
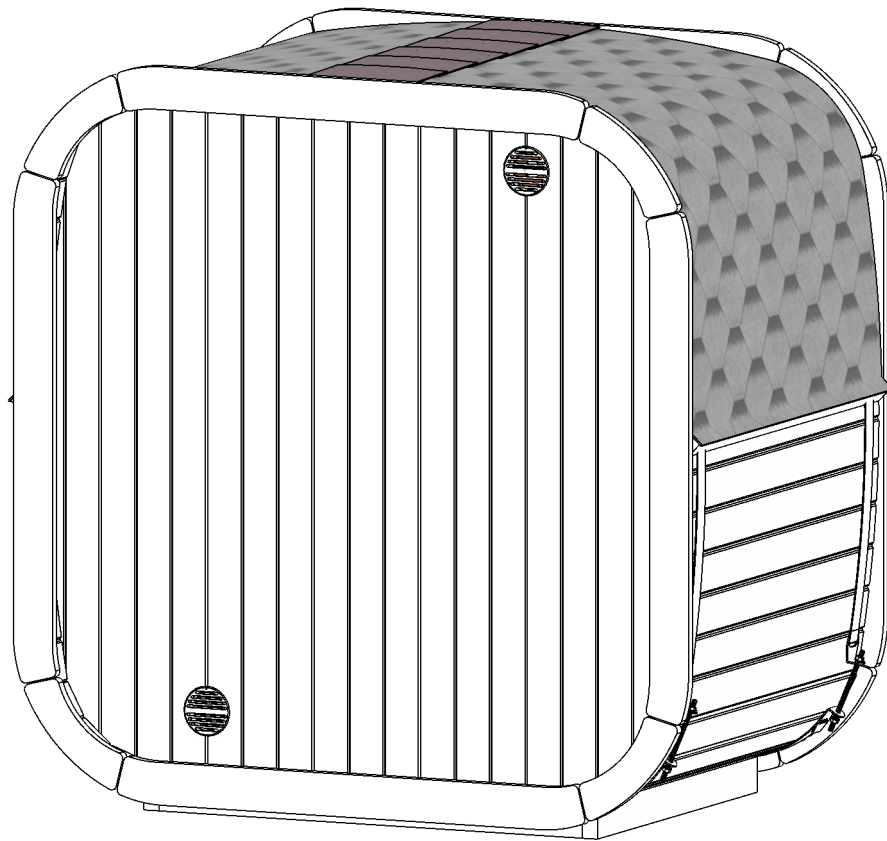


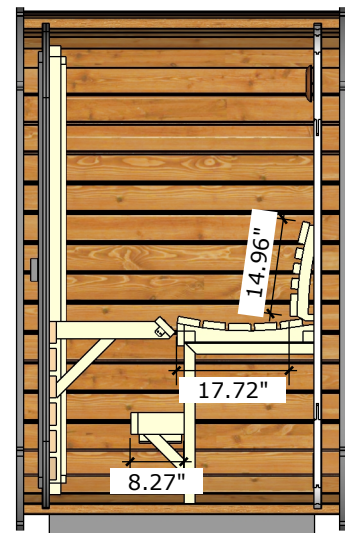
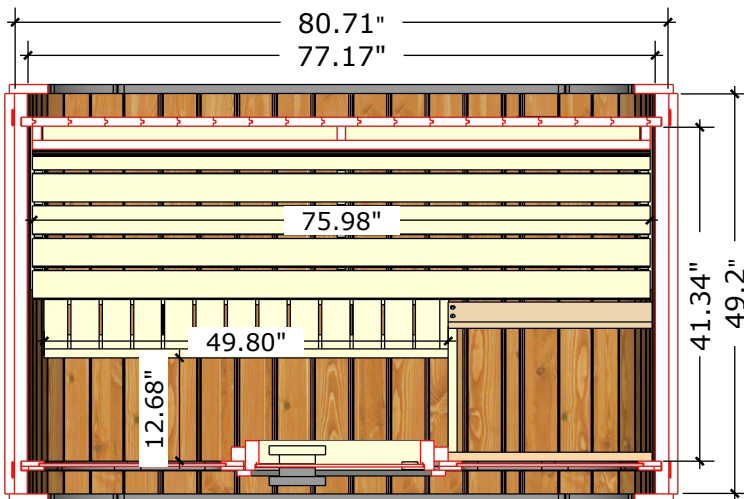
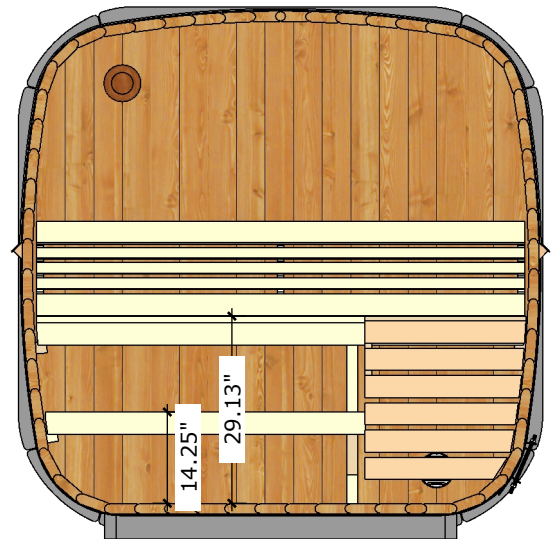
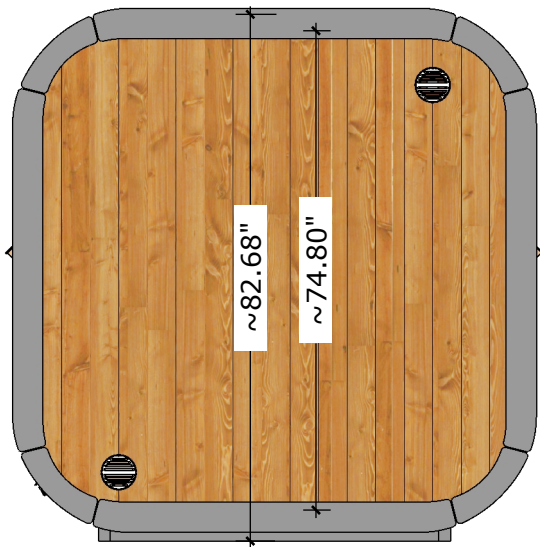
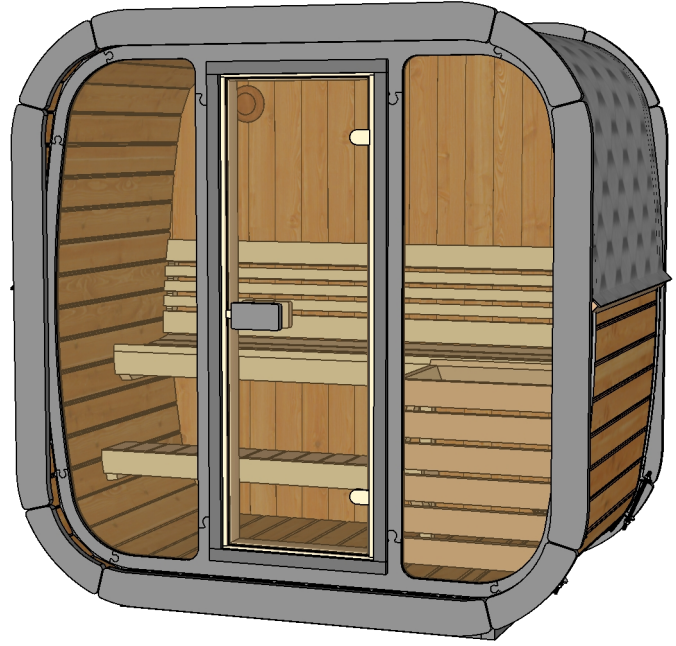
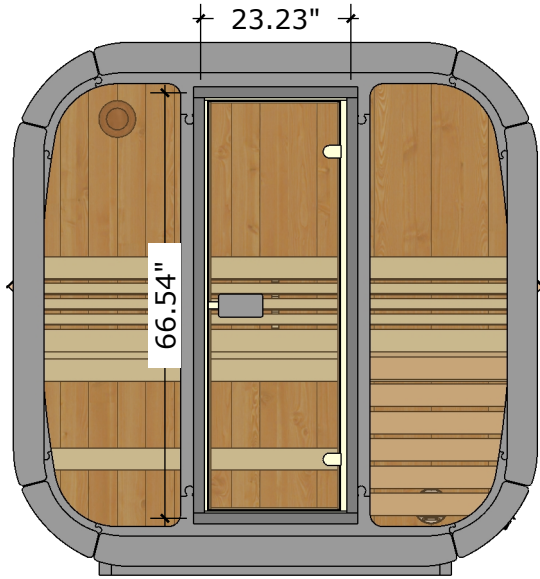


Cube Luxury Series CL4G Outdoor Sauna  
50D" x 81W" x 83H"

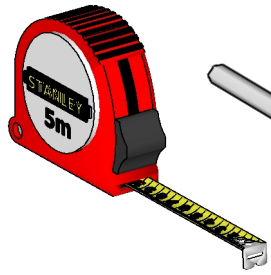


Note: Please read manual before construction

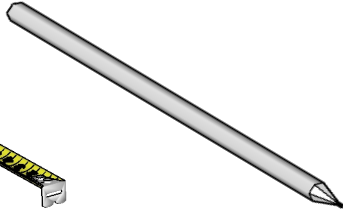
Rev: 1.0\_6/2024



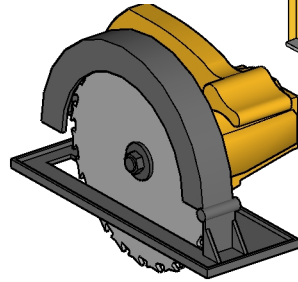
# Tools needed



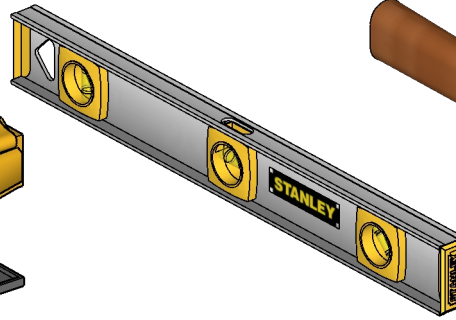
Measuring tape



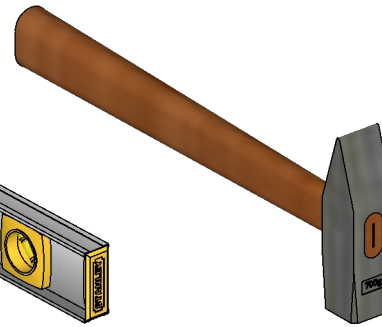
Marker pen



Circular saw



Water level



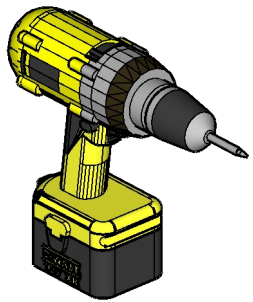
Hammer



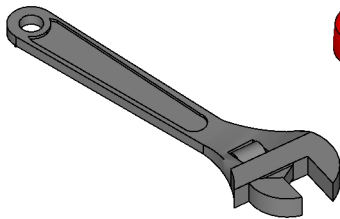
Extra hands



Screwdriver



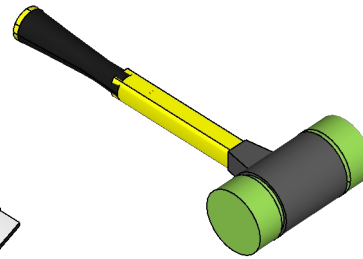
Drill



Crescent wrench



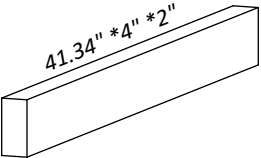
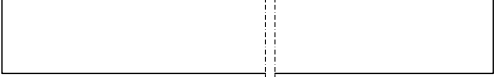
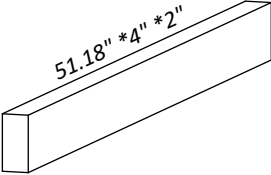

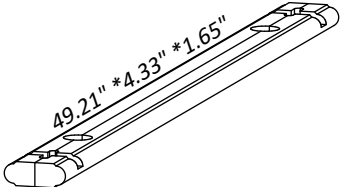
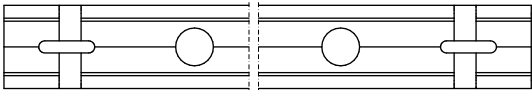
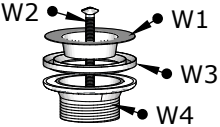
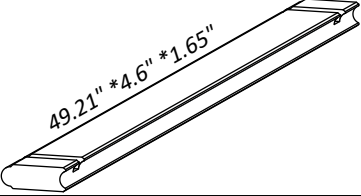

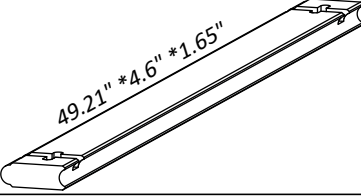

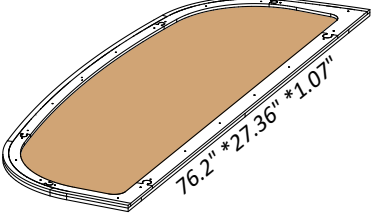
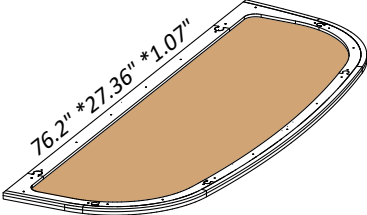
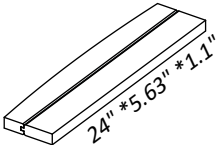

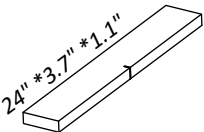
Utility knife

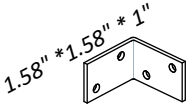
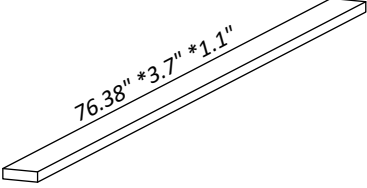
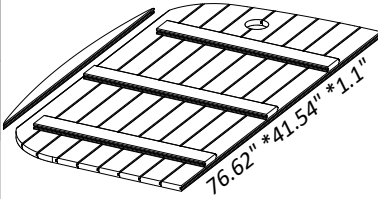
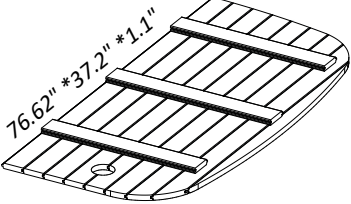
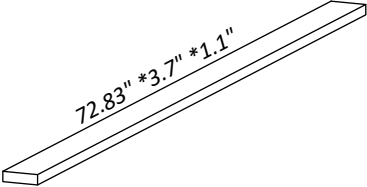
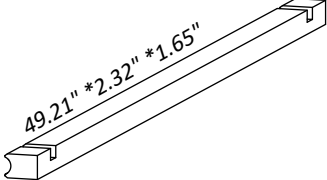
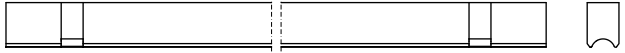
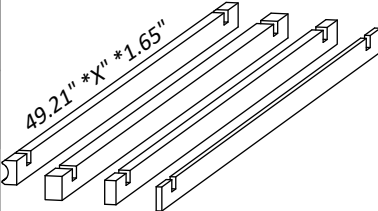

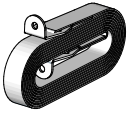
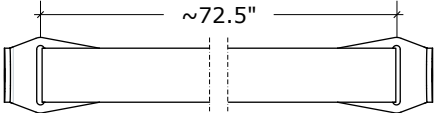
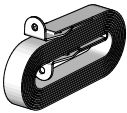
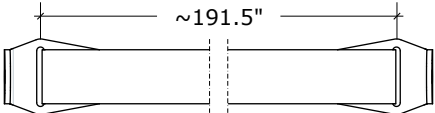




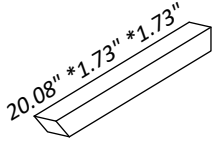
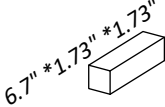
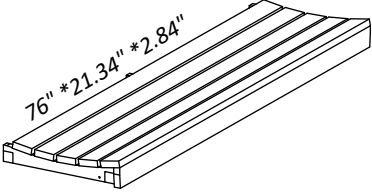
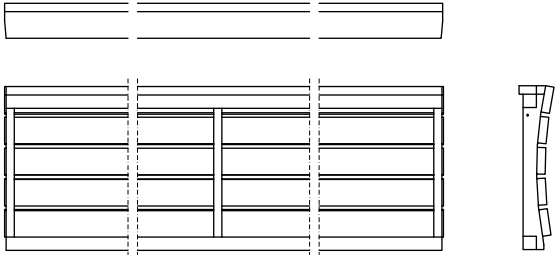
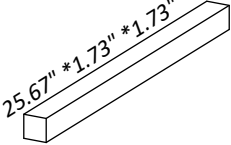
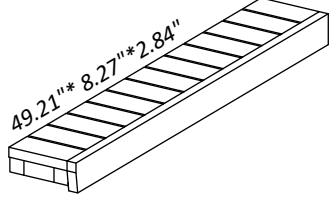
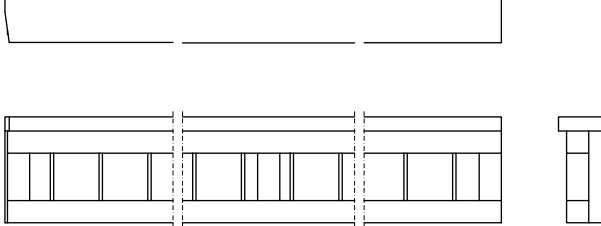
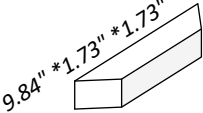

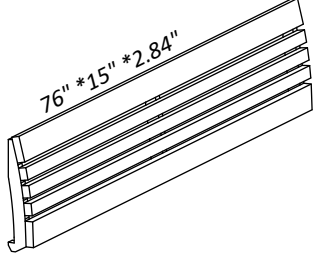
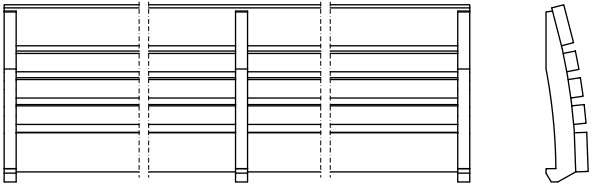
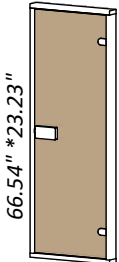
Rubber mallet

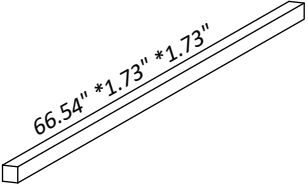
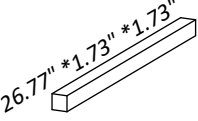
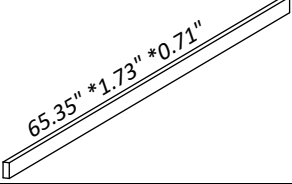
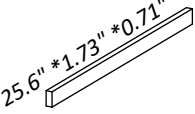
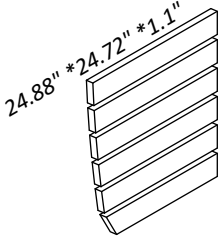
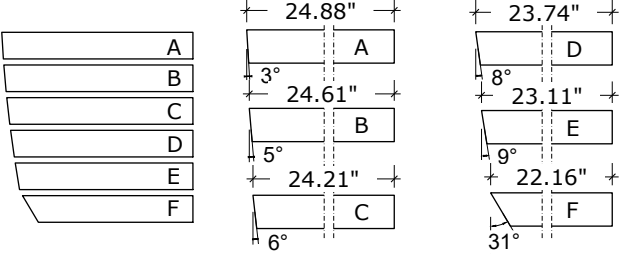
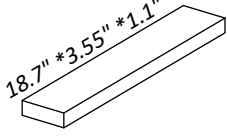
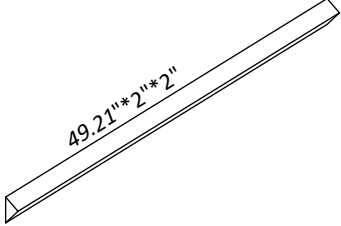
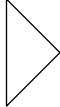
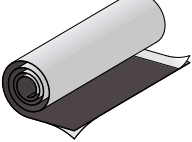
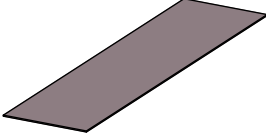
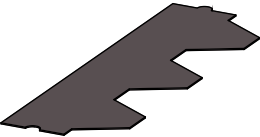


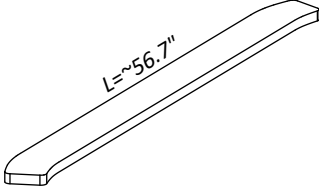

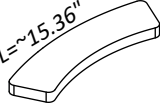

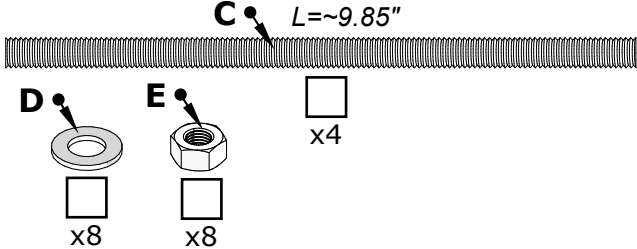
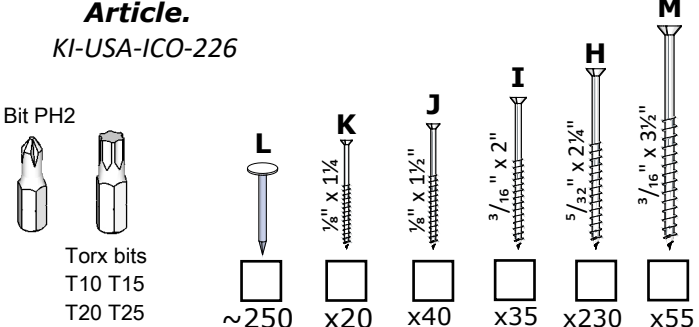
Ratchet strap

<p><b>DET 1</b></p> <p><b>Article.</b> K-SM100/1050</p>	<p><b>x2</b></p>	 <p>41.34" * 4" * 2"</p>	
<p><b>DET 2</b></p> <p><b>Article.</b> K-SM100/1300</p>	<p><b>x3</b></p>	 <p>51.18" * 4" * 2"</p>	
<p><b>DET 3</b></p> <p><b>Article.</b> T-STL117/1250XLM01</p>	<p><b>x1</b></p>	 <p>49.21" * 4.33" * 1.65"</p>	
<p><b>DET W</b></p> <p><b>Article.</b> MU-TRAPP</p>	<p><b>x2</b> kmpł</p>		
<p><b>DET 3</b></p> <p><b>Article.</b> T-STL117/1250-01</p>	<p><b>x64</b></p>	 <p>49.21" * 4.6" * 1.65"</p>	
<p><b>DET 3/H</b></p> <p><b>Article.</b> T-STL117/1250-01X</p>	<p><b>x2</b></p>	 <p>49.21" * 4.6" * 1.65"</p>	
<p><b>DET Sb</b></p> <p><b>Article.</b> IC-TE-20-PR-12/15V</p>	<p><b>x1</b></p>	 <p>76.2" * 27.36" * 1.07"</p>	
<p><b>DET Sa</b></p> <p><b>Article.</b> IC-TE-20-PR-12/15P</p>	<p><b>x1</b></p>	 <p>76.2" * 27.36" * 1.07"</p>	
<p><b>DET Ta</b></p> <p><b>Article.</b> T-SL117/610UK1</p>	<p><b>x1</b></p>	 <p>24" * 5.63" * 1.1"</p>	
<p><b>DET Tb</b></p> <p><b>Article.</b> T-TL94/610J</p>	<p><b>x1</b></p>	 <p>24" * 3.7" * 1.1"</p>	

<p><b>DET V</b></p> <p><b>Article.</b> KI-VIN-25/40/40-ZN</p>	<p><b>x4</b></p>		
<p><b>DET U1</b></p> <p><b>Article.</b> K-TL94/1940</p>	<p><b>x1</b></p>		
<p><b>DET Y1</b></p> <p><b>Article.</b> T-IC-PTS-20/28-V</p>	<p><b>x1</b></p>		
<p><b>DET Y2</b></p> <p><b>Article.</b> T-IC-PTS-20/28-P</p>	<p><b>x1</b></p>		
<p><b>DET U2</b></p> <p><b>Article.</b> K-TL94/1850</p>	<p><b>x1</b></p>		
<p><b>DET 6</b></p> <p><b>Article.</b> T-STL117/1250XL-01</p>	<p><b>x2</b></p>		
<p><b>DET 6c/d/e/f</b></p> <p><b>Article.</b> T-STL117/1250KO-01</p>	<p><b>x1</b></p>		
<p><b>DET A1</b></p> <p><b>Article.</b> MU-VIT1840-KLZN</p>	<p><b>x2</b></p>		
<p><b>DET A2</b></p> <p><b>Article.</b> MU-VIT4860-KLZN</p>	<p><b>x2</b></p>		
<p><b>DET G</b></p> <p><b>Article.</b> MU-VENT-100-PU</p>	<p><b>x1</b></p>		

<p><b>DET F</b></p> <p><b>Article.</b> MU-VENT-100-ZN</p>	<p><b>x3</b></p>		
<p><b>DET 10a</b></p> <p><b>Article.</b> K-HP44/510XP</p>	<p><b>x2</b></p>		
<p><b>DET 10c</b></p> <p><b>Article.</b> K-HP44/170</p>	<p><b>x1</b></p>		
<p><b>DET 10</b></p> <p><b>Article.</b> TL-LAMOD-1930-KA01</p>	<p><b>x1</b></p>		
<p><b>DET 10b</b></p> <p><b>Article.</b> K-HP44/652</p>	<p><b>x1</b></p>		
<p><b>DET 12</b></p> <p><b>Article.</b> TL-LAMOD-1250-01</p>	<p><b>x1</b></p>		
<p><b>DET 12a</b></p> <p><b>Article.</b> K-HP44/250XP-XP</p>	<p><b>x1</b></p>		
<p><b>DET 14</b></p> <p><b>Article.</b> TL-STMOD-1930-KA01</p>	<p><b>x1</b></p>		
<p><b>DET 21</b></p> <p><b>Article.</b> U-KL-6/17-PR</p>	<p><b>x1</b></p>		

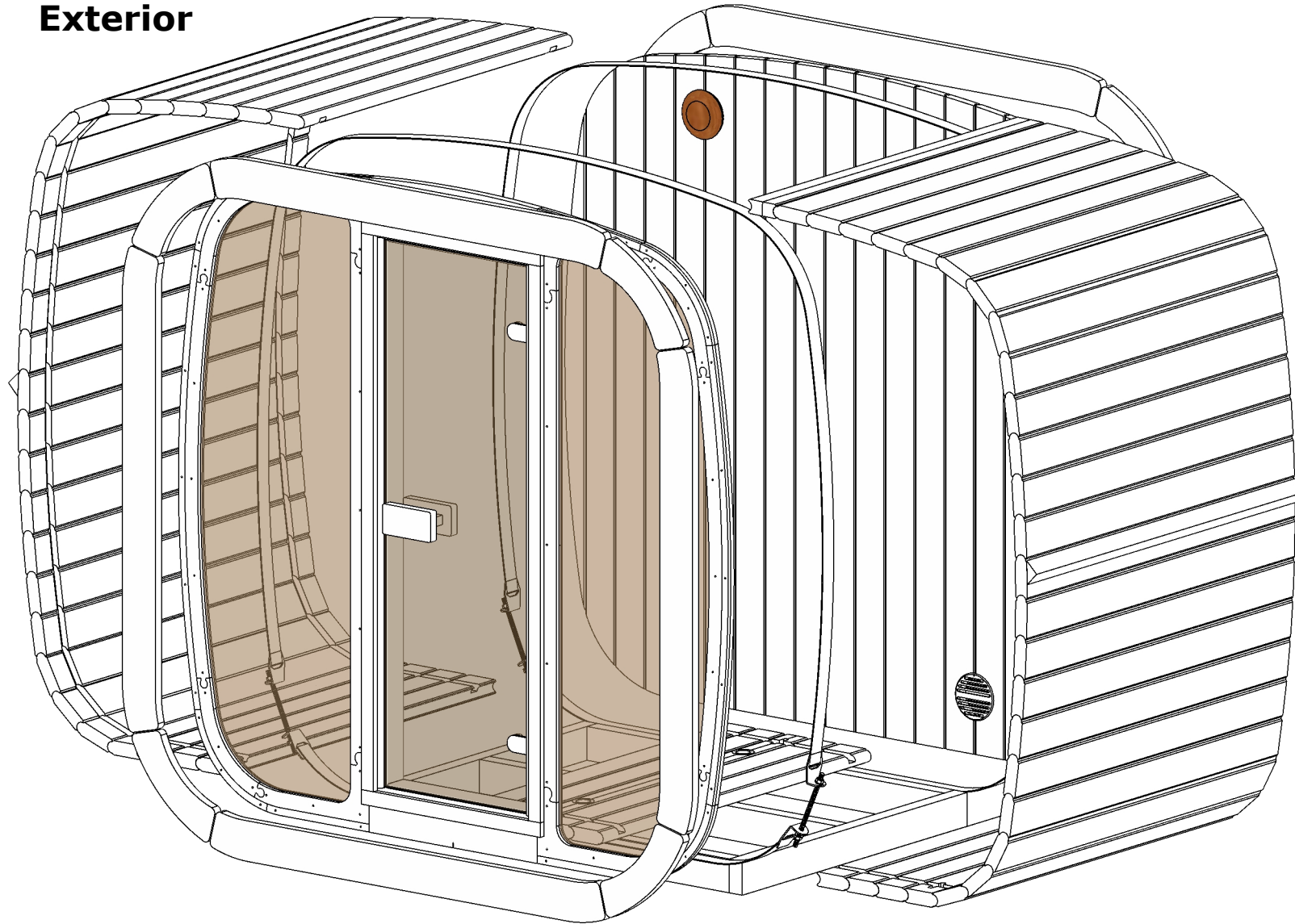
<p><b>DET 21c</b></p> <p><b>Article.</b> K-HP44/1690</p>	<p><b>x2</b></p>		
<p><b>DET 21d</b></p> <p><b>Article.</b> K-HP44/680</p>	<p><b>x2</b></p>		
<p><b>DET 21a</b></p> <p><b>Article.</b> K-HL44/1660</p>	<p><b>x2</b></p>		
<p><b>DET 21b</b></p> <p><b>Article.</b> K-HL44/650</p>	<p><b>x2</b></p>		
<p><b>DET 16</b></p> <p><b>Article.</b> TL-PIMOD-632-01</p>	<p><b>x1</b></p>		
<p><b>DET 15</b></p> <p><b>Article.</b> TL-LAV90/475</p>	<p><b>x1</b></p>		
<p><b>DET 22</b></p> <p><b>Article.</b> T-STL-1250-XX</p>	<p><b>x2</b></p>		
<p><b>Underlay felt</b></p> <p><b>Article.</b> KAT-AL</p>	<p><b>26'</b></p>		
<p><b>DET N</b></p> <p><b>Article.</b> KAT-HAR-MUST</p>	<p><b>x5</b></p>		
<p><b>DET O</b></p> <p><b>Article.</b> KAT-SIN-MUST</p>	<p><b>x42</b></p>		

<p><b>DET 25a</b></p> <p><b>Article.</b> MU-OL-IC-20-1</p>	<p><b>x8</b></p>	 <p>L≈56.7"</p>	
<p><b>DET 25b</b></p> <p><b>Article.</b> MU-OL-IC-20-2</p>	<p><b>x8</b></p>	 <p>L≈15.36"</p>	
<p><b>Article.</b> KI-KERL-12-RV4</p>  <p><b>C</b> L≈9.85"</p> <p><b>D</b> x8</p> <p><b>E</b> x8</p> <p>x4</p>		<p><b>Article.</b> KI-USA-ICO-226</p>  <p>Bit PH2</p> <p>Torx bits T10 T15 T20 T25</p> <p><b>L</b> ~250</p> <p><b>K</b> 1/8" x 1 1/2" x20</p> <p><b>J</b> 1/8" x 1 1/2" x40</p> <p><b>I</b> 3/16" x 2" x35</p> <p><b>H</b> 5/32" x 2 1/4" x230</p> <p><b>M</b> 3/16" x 3 1/2" x55</p>	

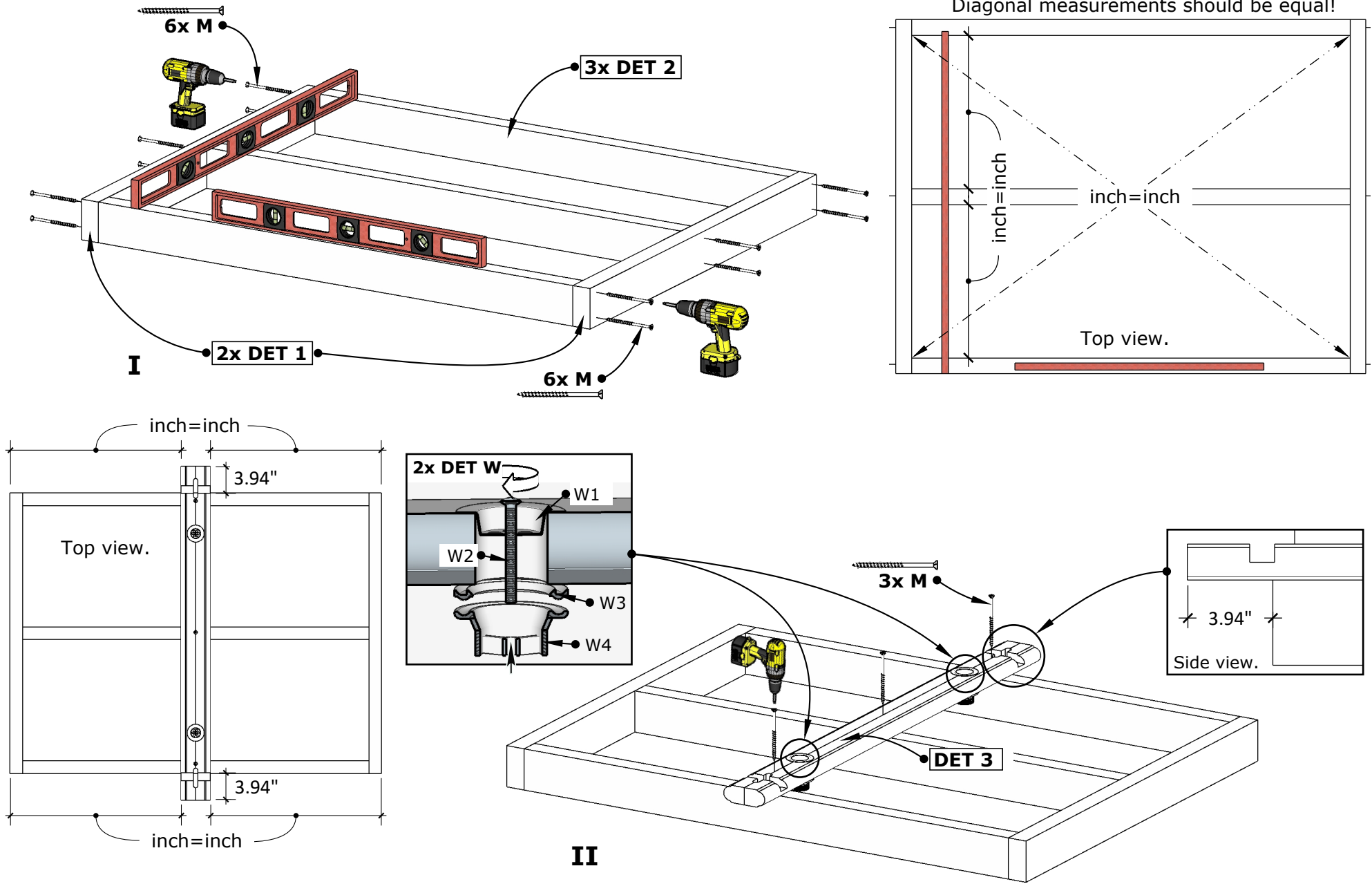


**CL4G Outdoor Sauna 50D" x 81W" x 83H"**

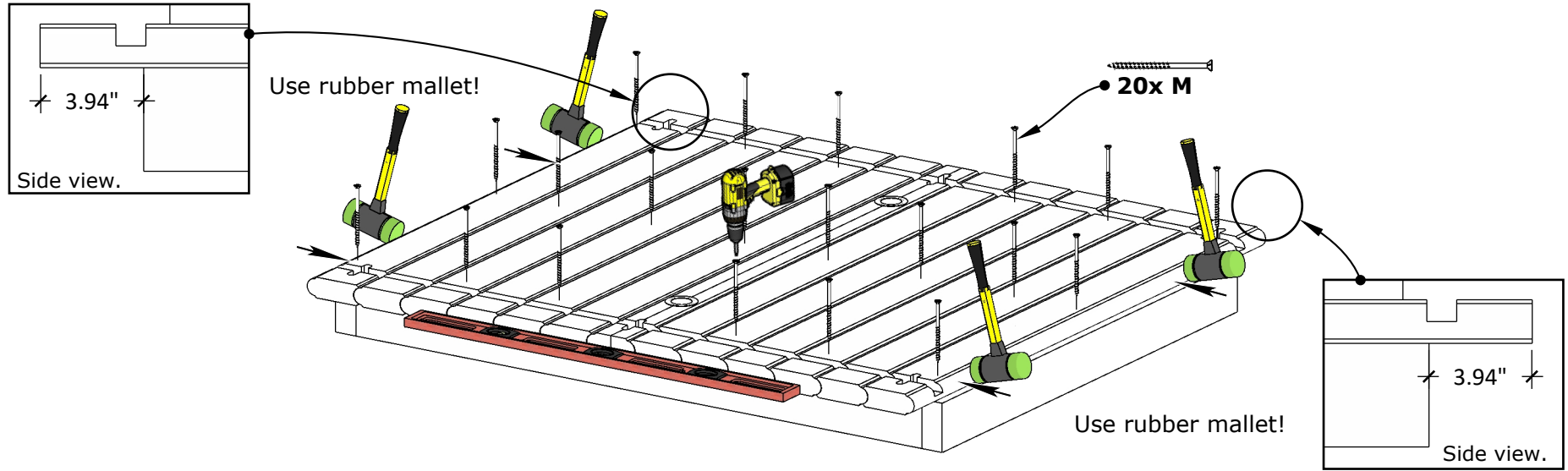
**Exterior**



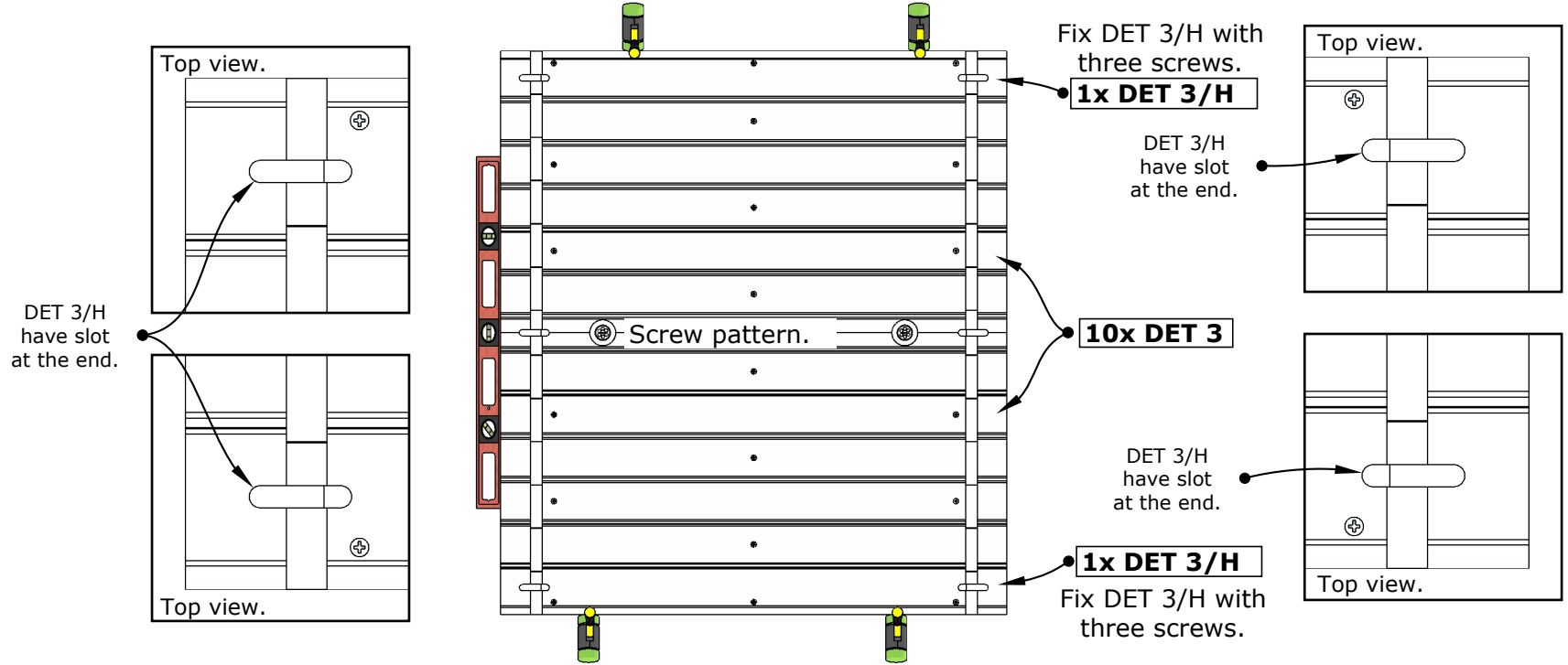
# CL4G Outdoor Sauna 50D" x 81W" x 83H"



# CL4G Outdoor Sauna 50D" x 81W" x 83H"

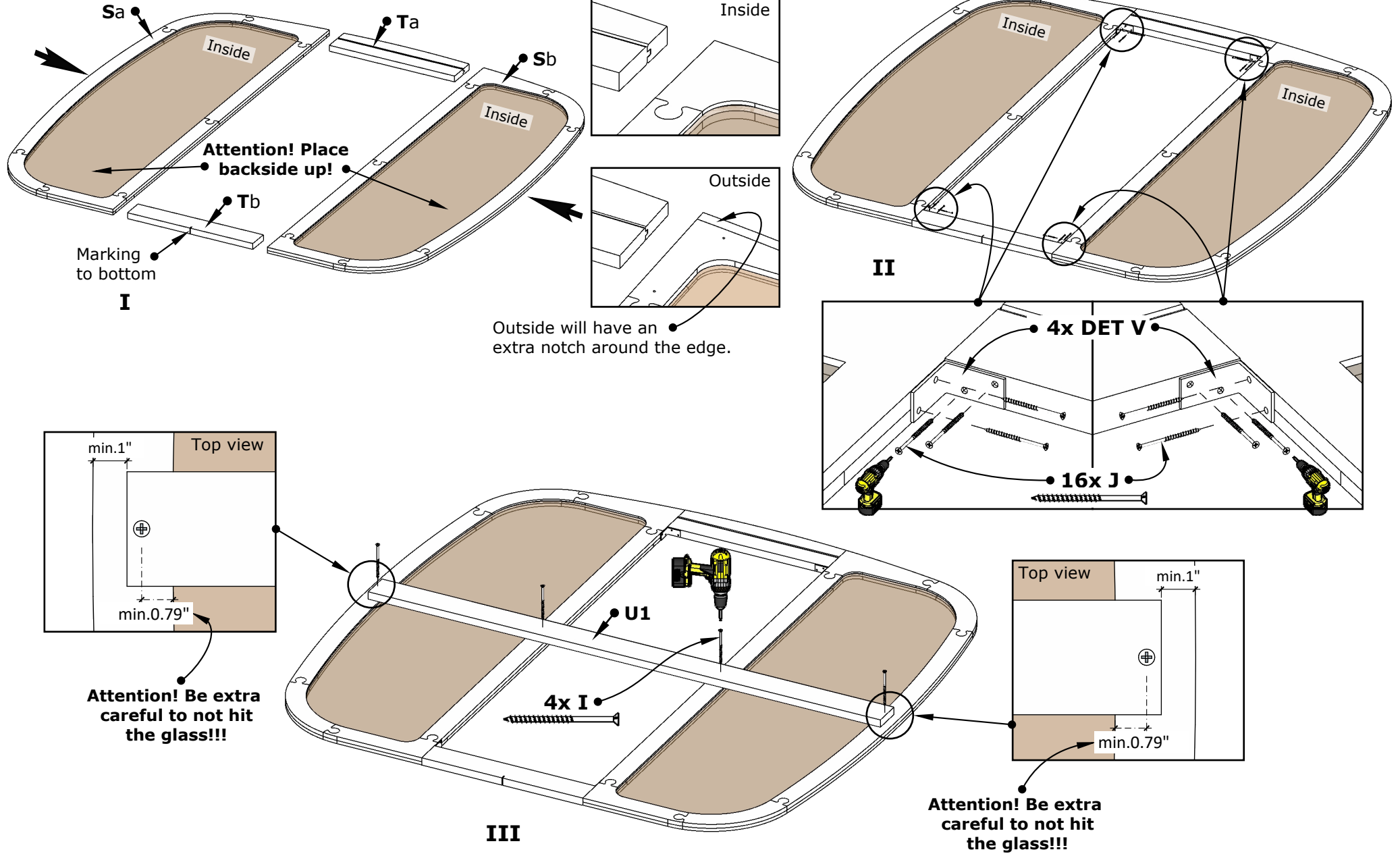


Fix screws over the one board, diagonally in every board.



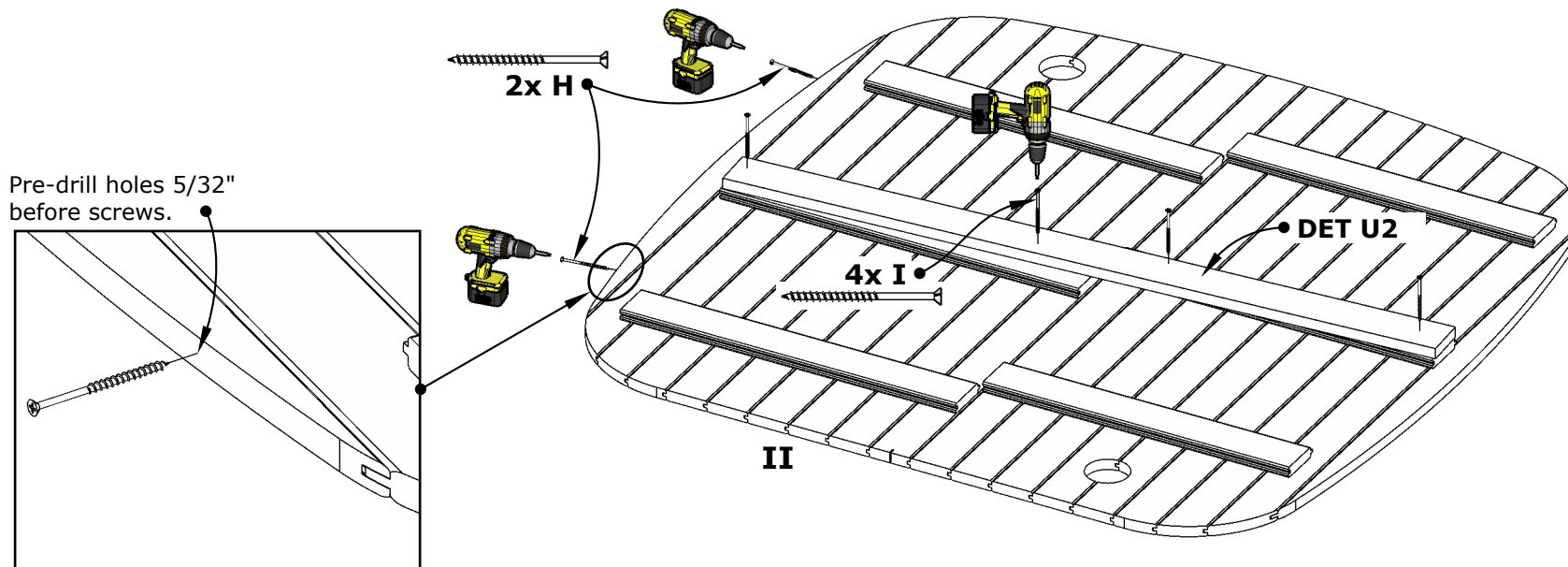
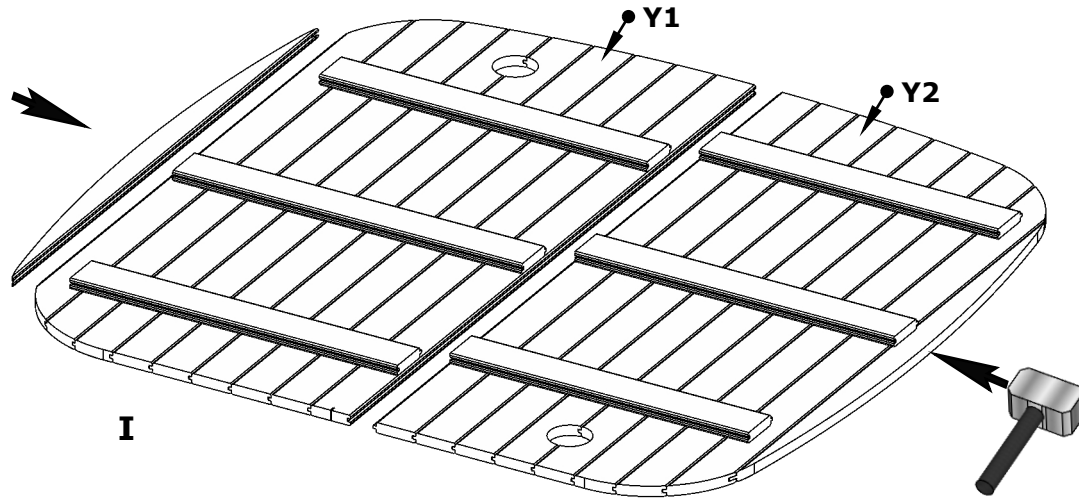
# CL4G Outdoor Sauna 50D" x 81W" x 83H"

## Front glass-wall assembly

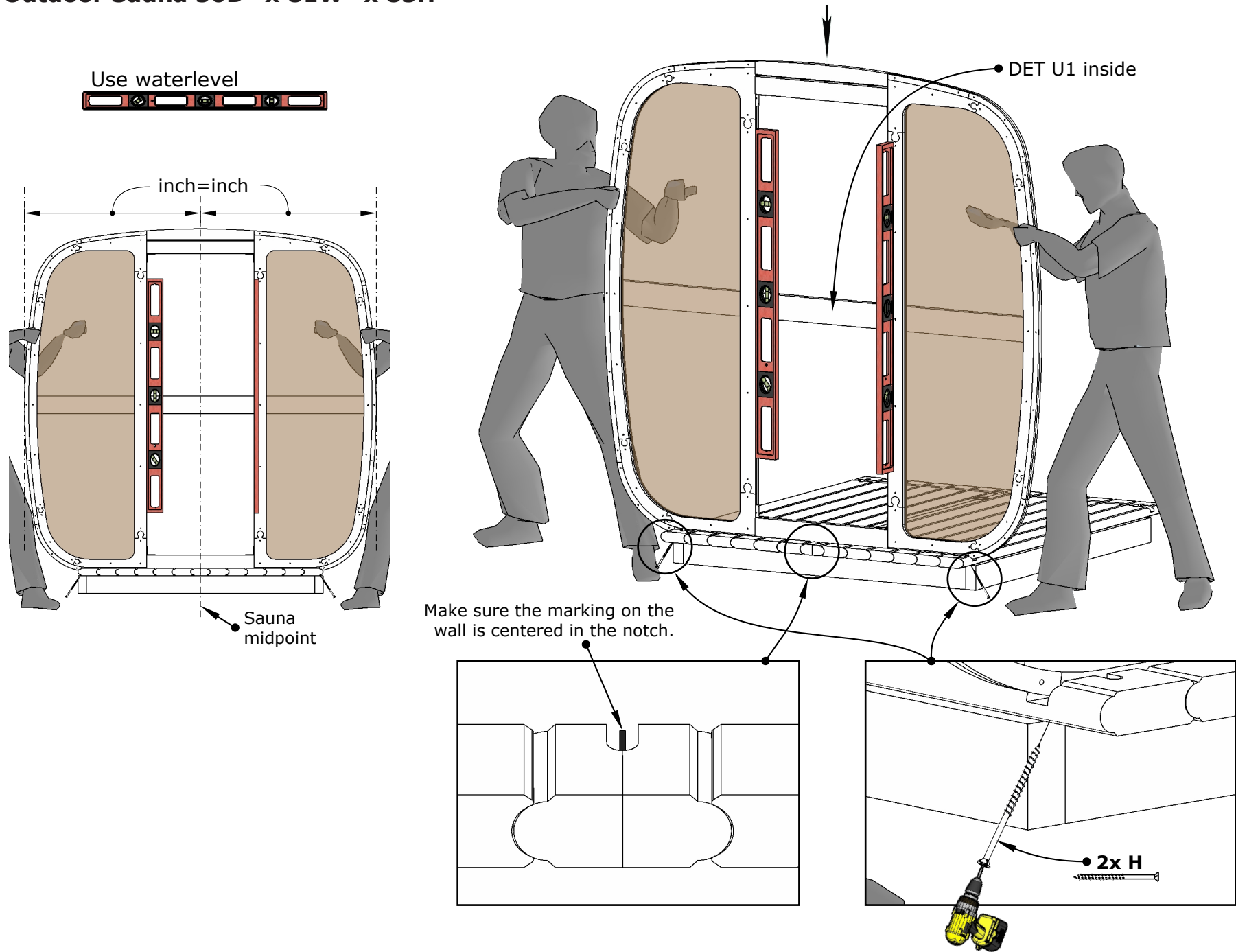


# CL4G Outdoor Sauna 50D" x 81W" x 83H"

## Wooden back wall assembly

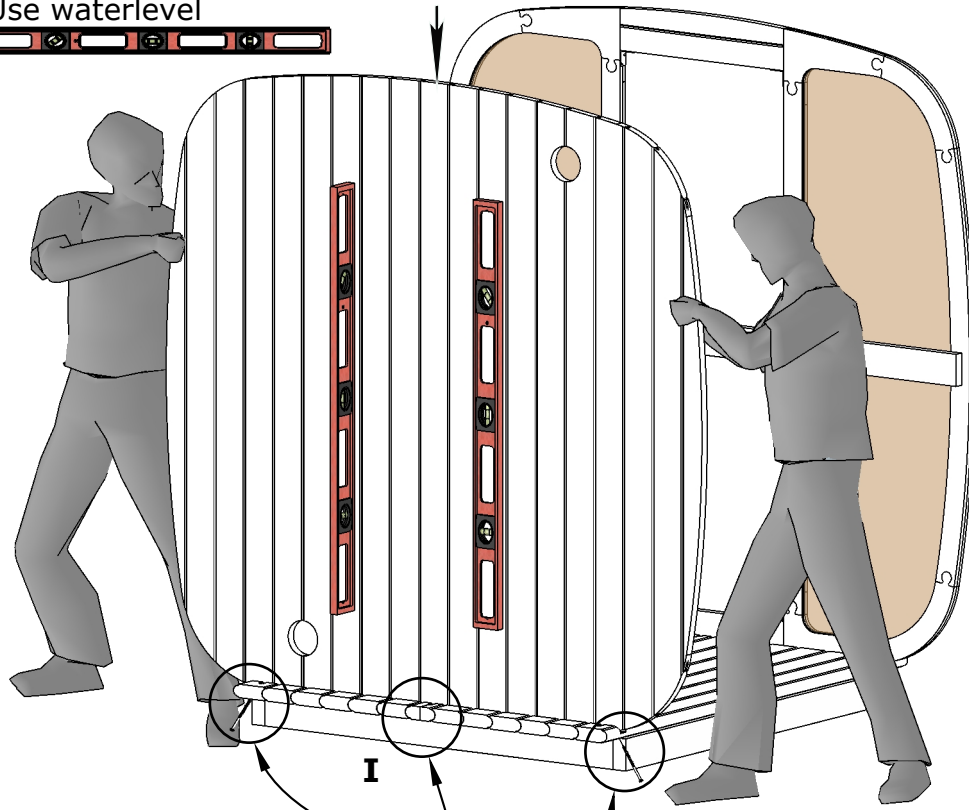


# CL4G Outdoor Sauna 50D" x 81W" x 83H"

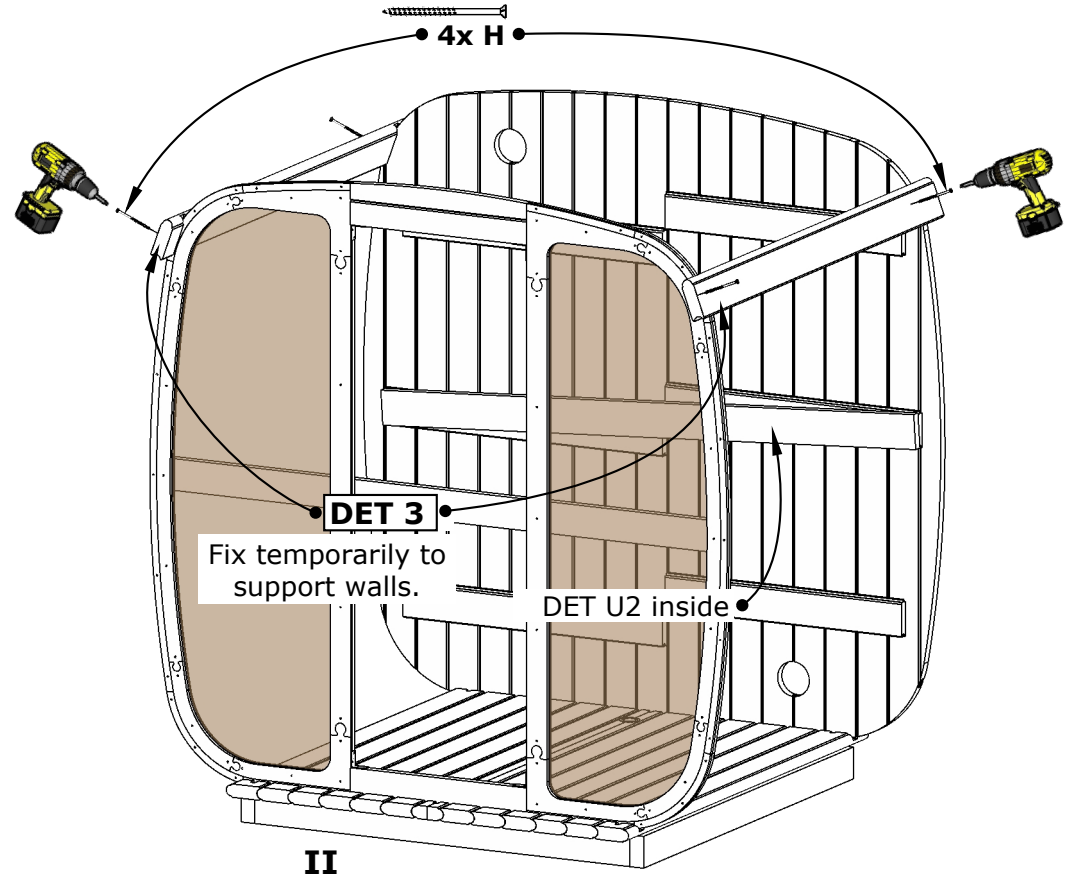
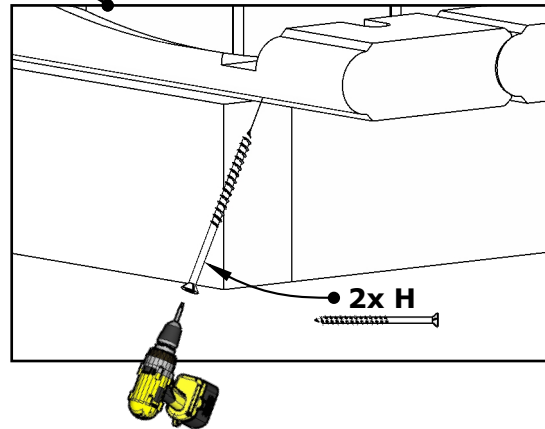
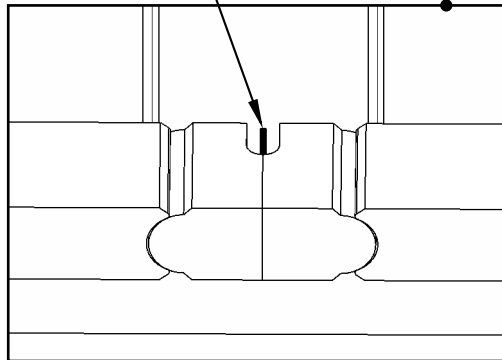


# CL4G Outdoor Sauna 50D" x 81W" x 83H"

Use waterlevel



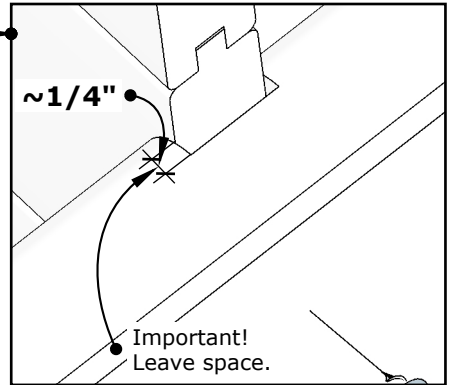
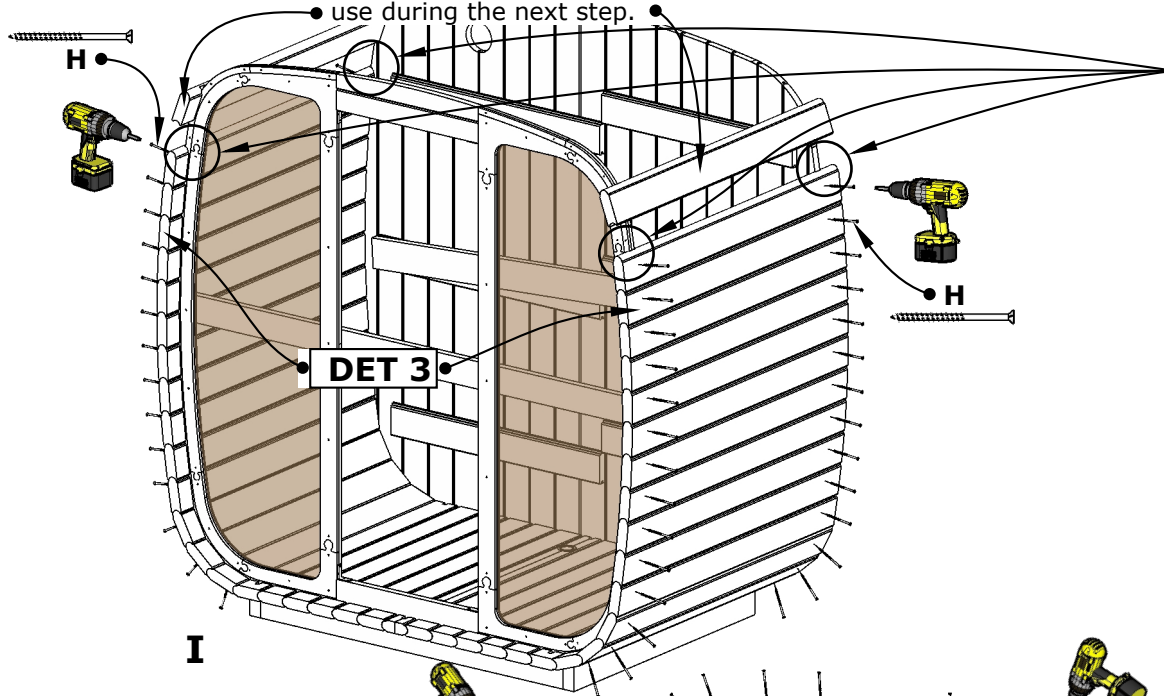
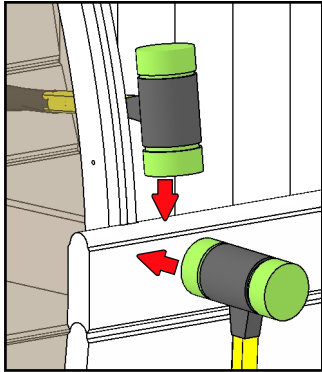
Make sure the marking on the wall is centered in the notch.



# CL4G Outdoor Sauna 50D" x 81W" x 83H"

Remove DET 3 from their temporary positions and use during the next step.

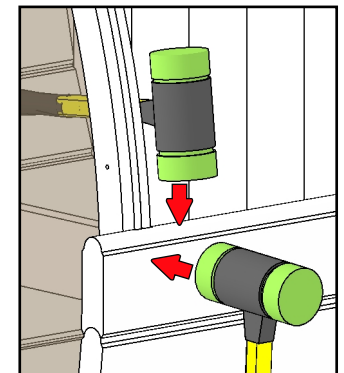
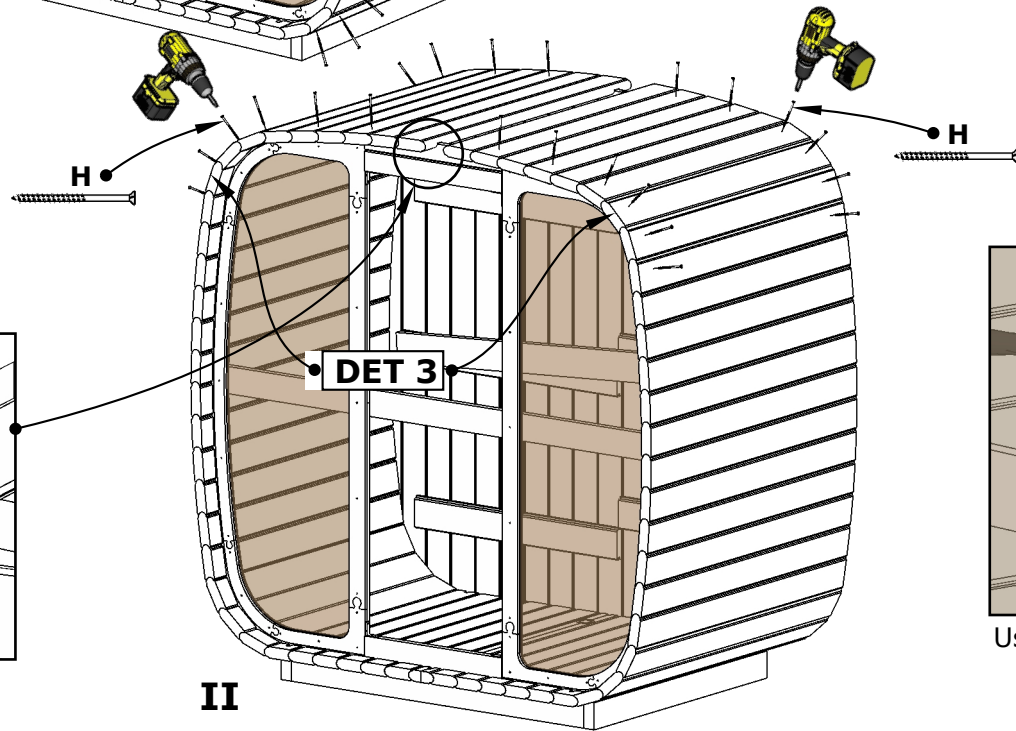
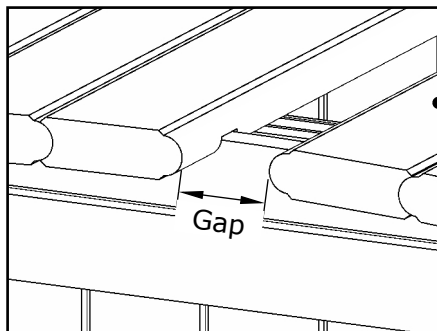
Use rubber mallet!



IMPORTANT! Be sure to leave a 1/4" gap when tightening screws to leave room for adjustment when the outer bands (A2) are installed.

I

See the next page.

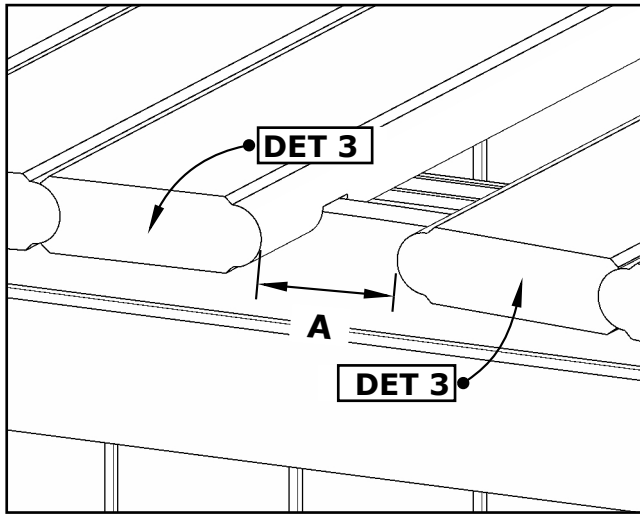


Use rubber mallet!

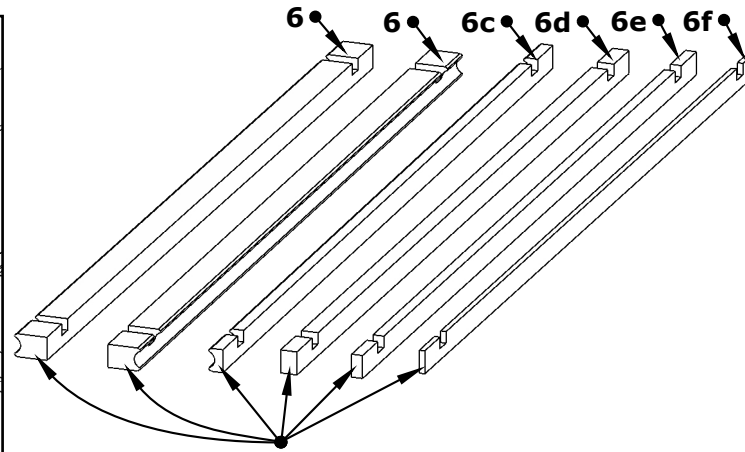
II



CL4G Outdoor Sauna 50D" x 81W" x 83H"

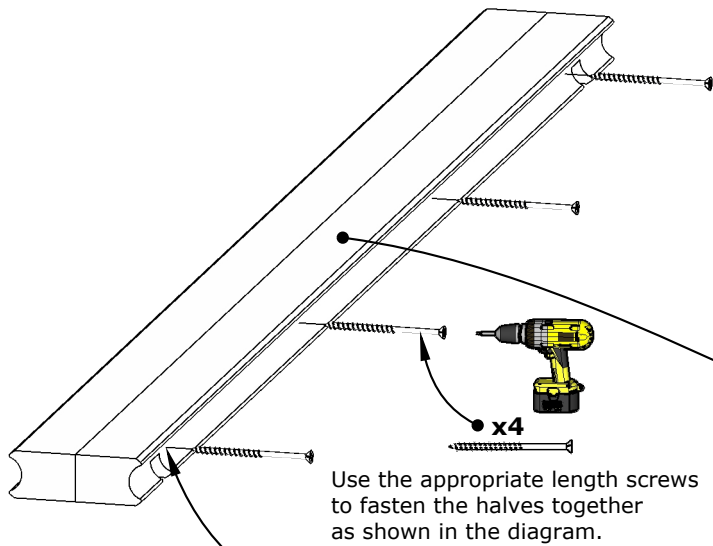
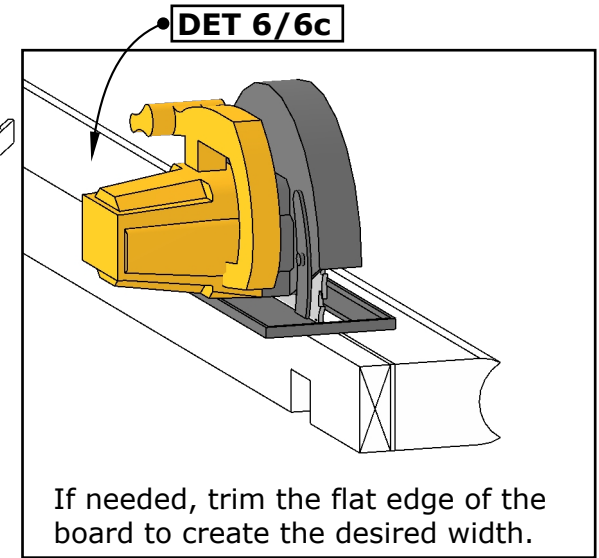


**I**



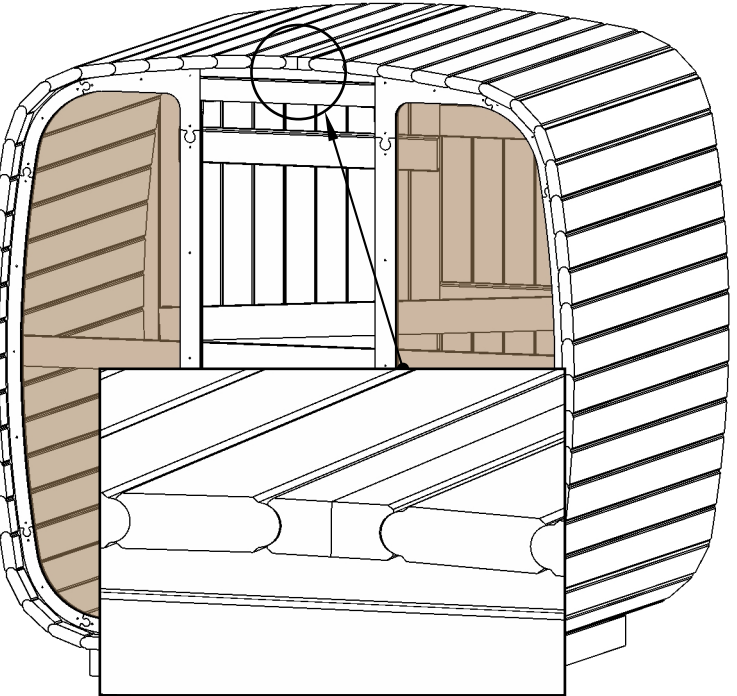
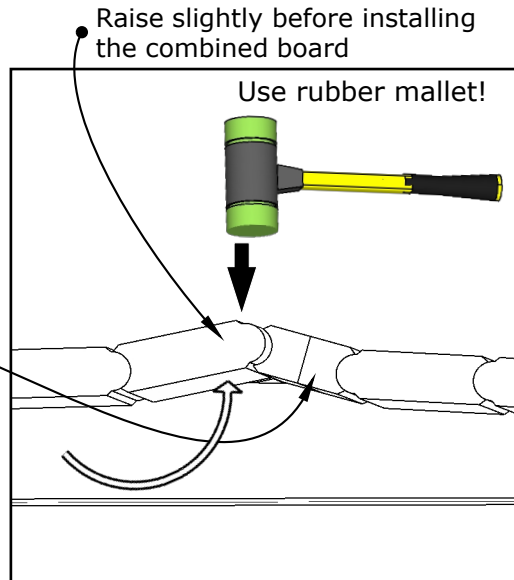
Join boards together (as shown in diagram III) that will bridge the width of the "A" gap. It is recommended that the combined boards are approximately 1/4" wider than the gap.

**II**



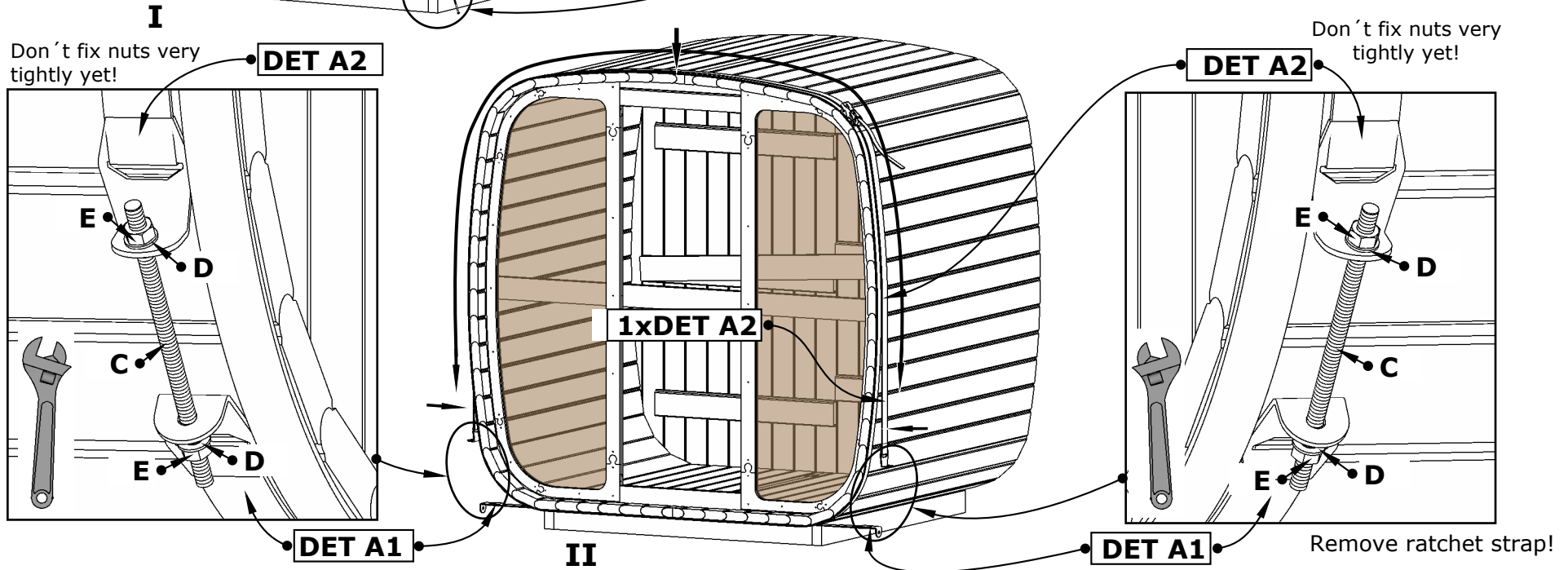
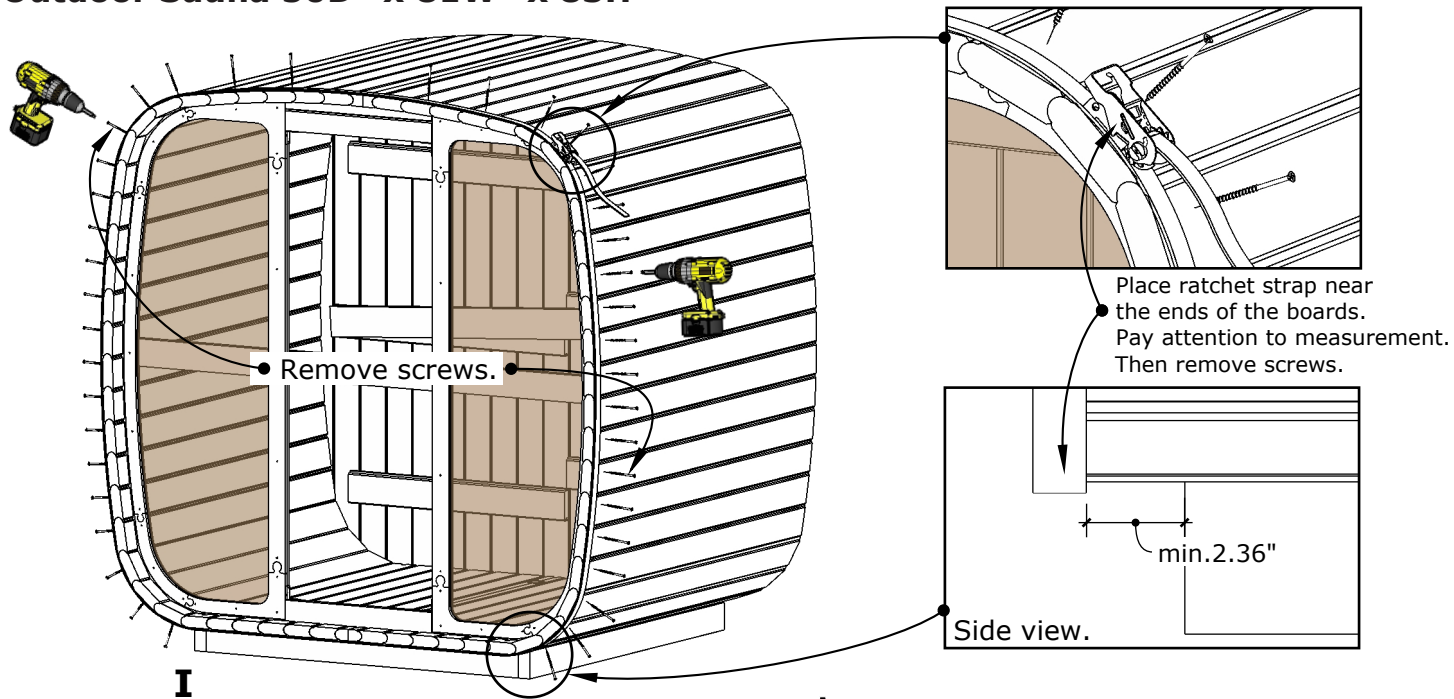
**III**

• Pre-drill holes  $\varnothing$  5/32"

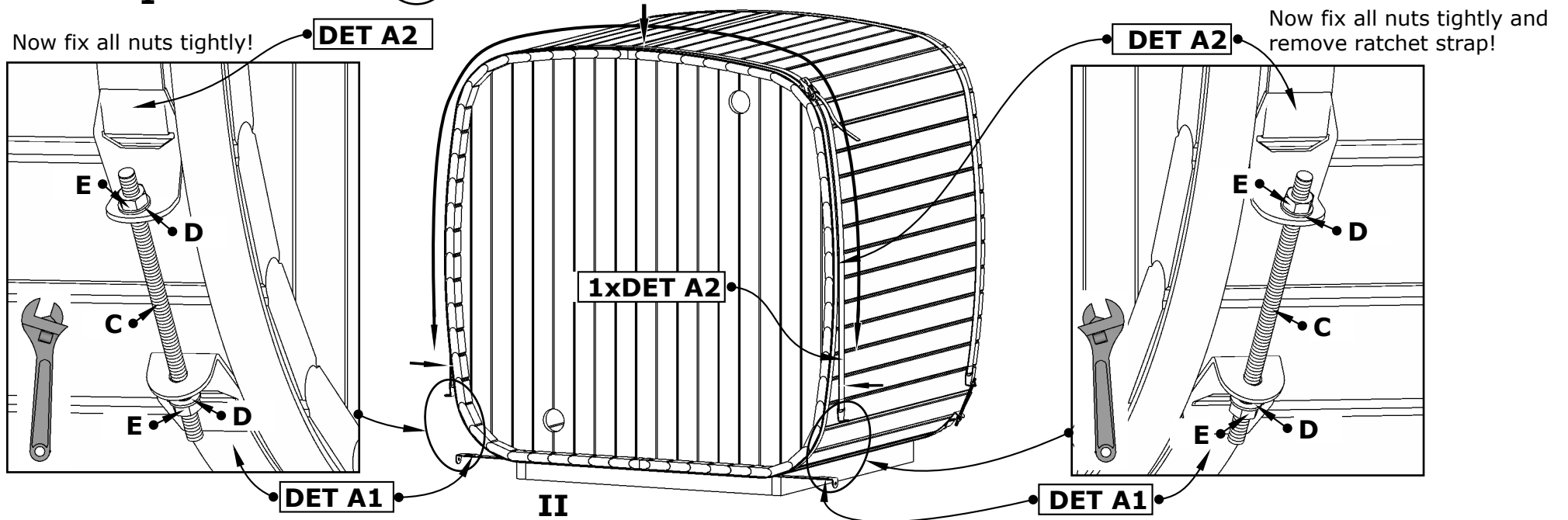
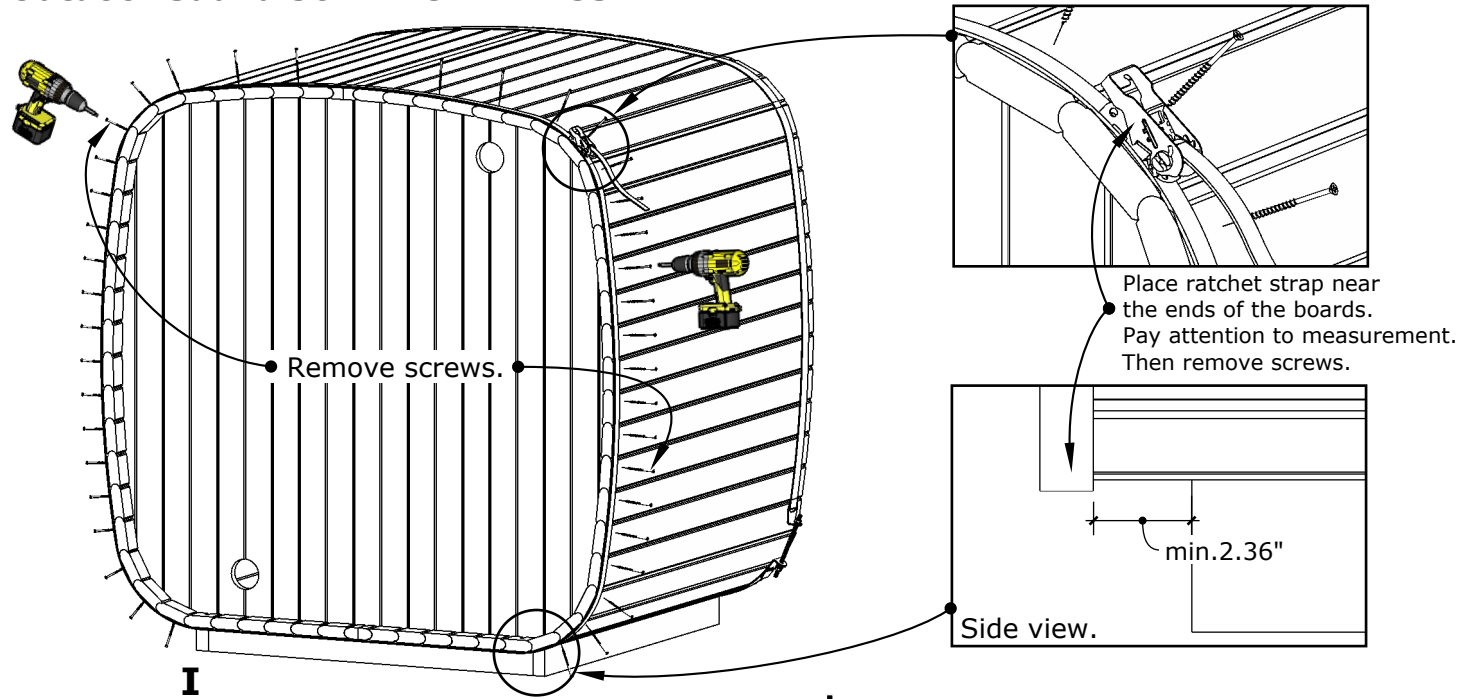


**IV**

**CL4G Outdoor Sauna 50D" x 81W" x 83H"**

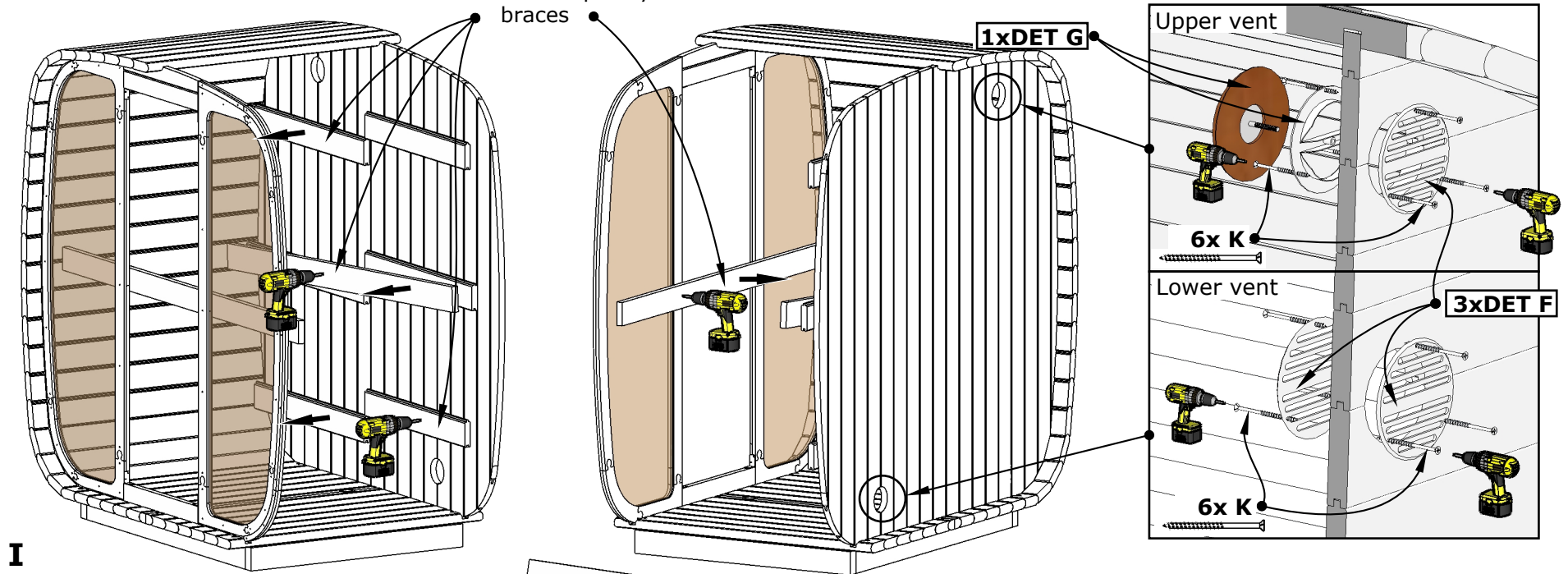


# CL4G Outdoor Sauna 50D" x 81W" x 83H"

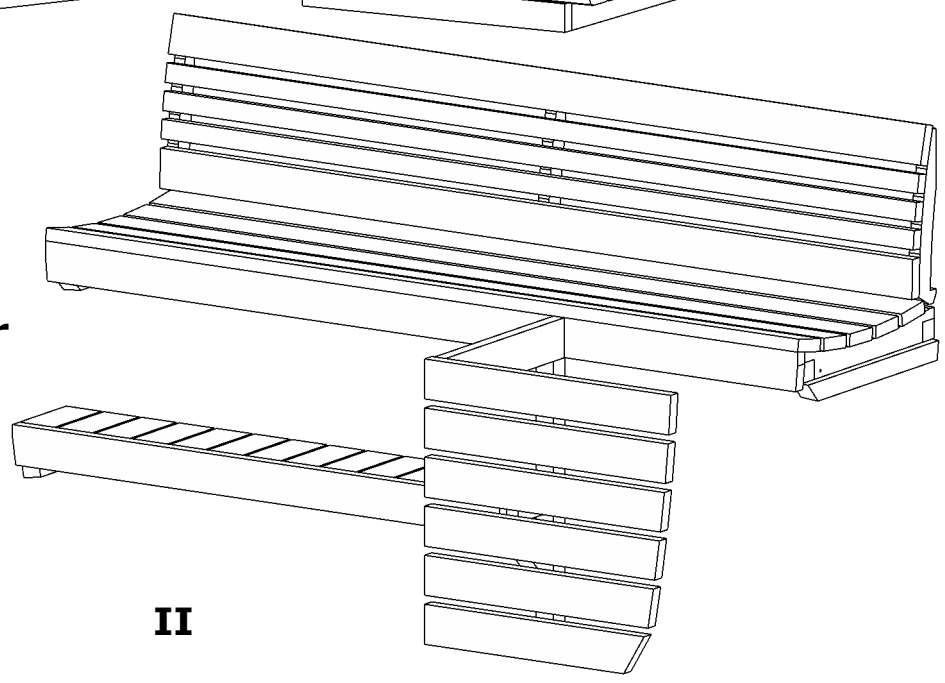


# CL4G Outdoor Sauna 50D" x 81W" x 83H"

Remove all temporary braces

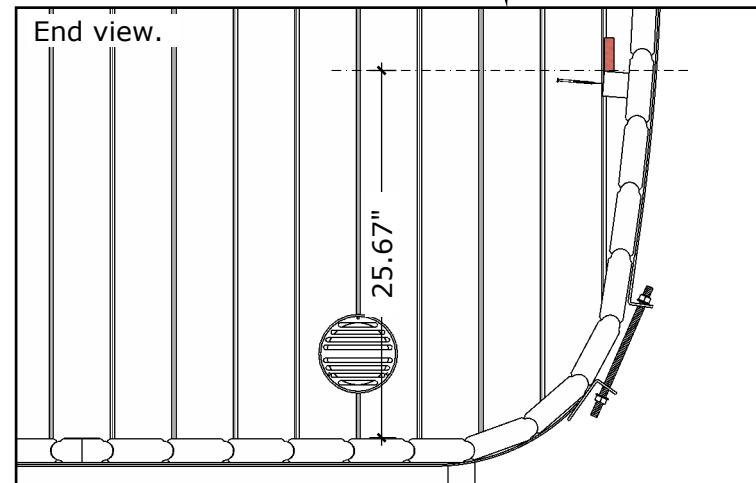
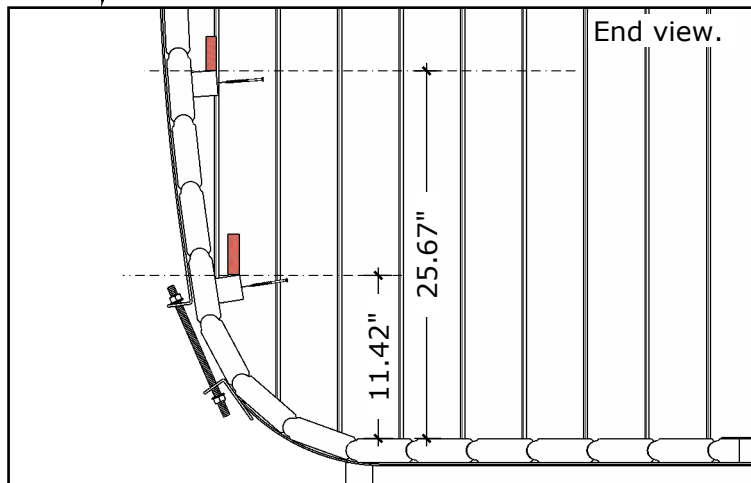
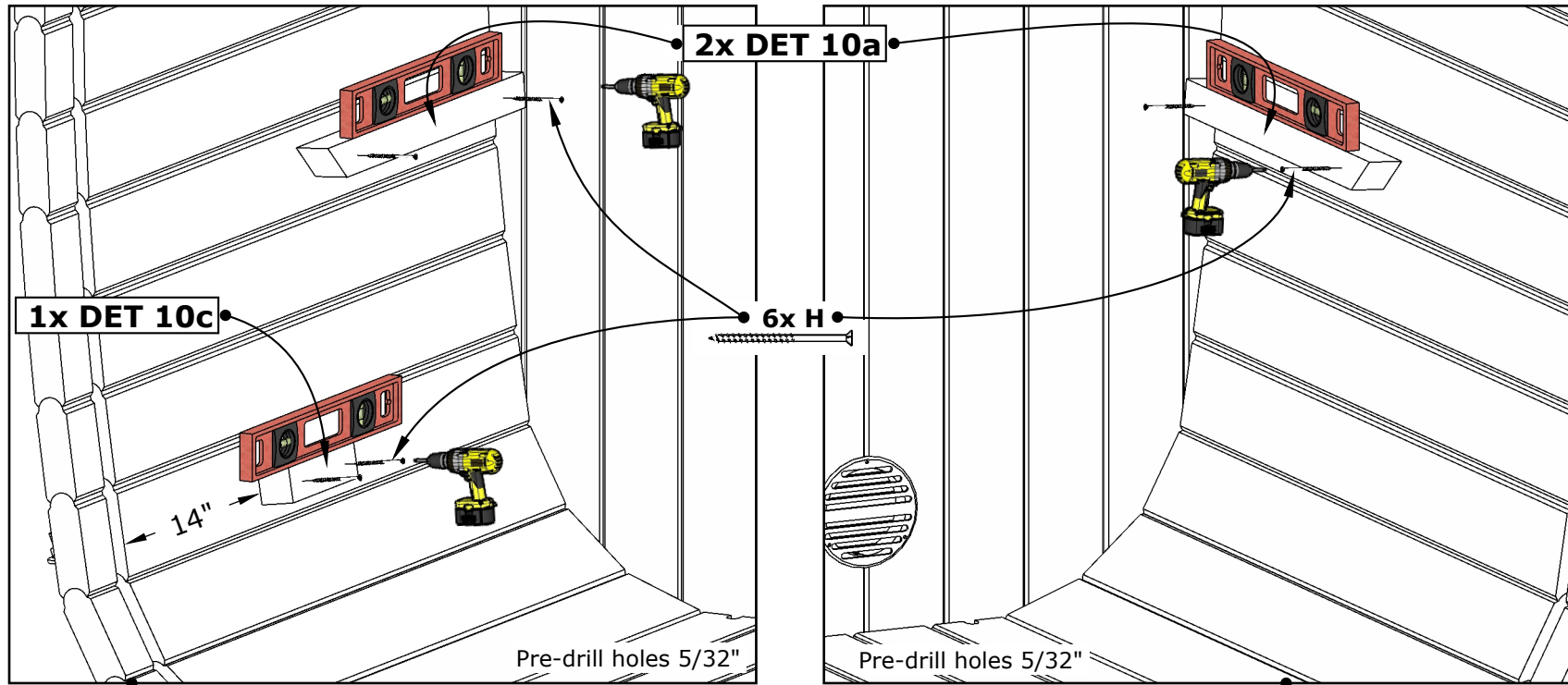


## Interior

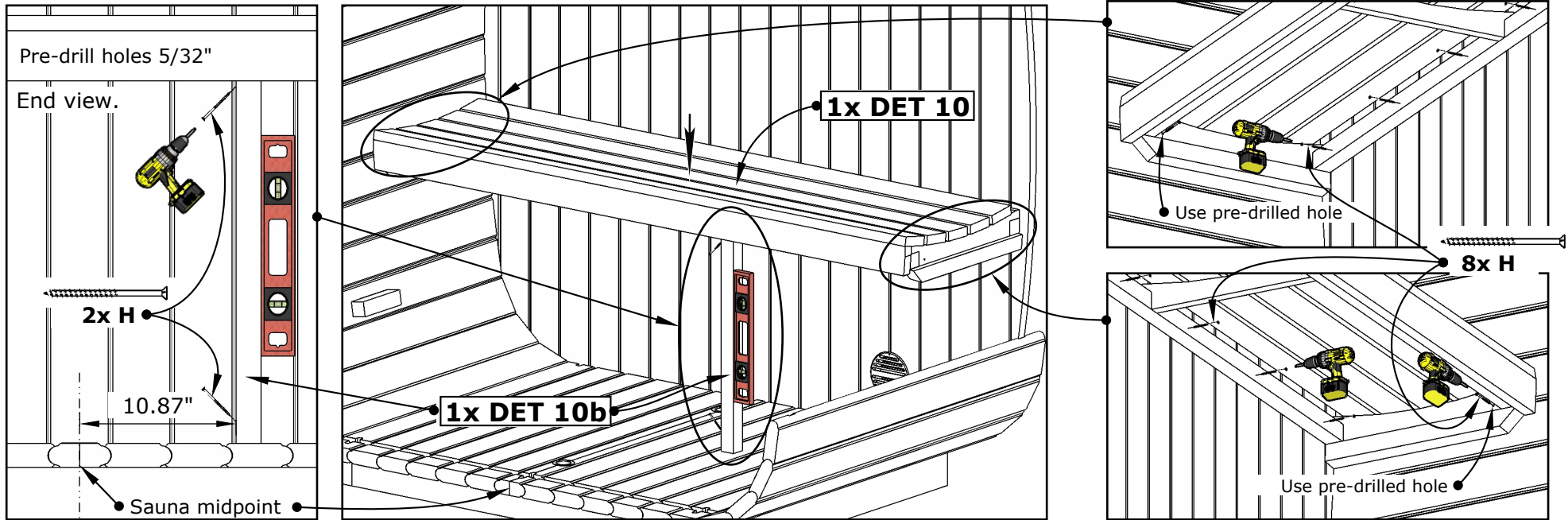


# CL4G Outdoor Sauna 50D" x 81W" x 83H"

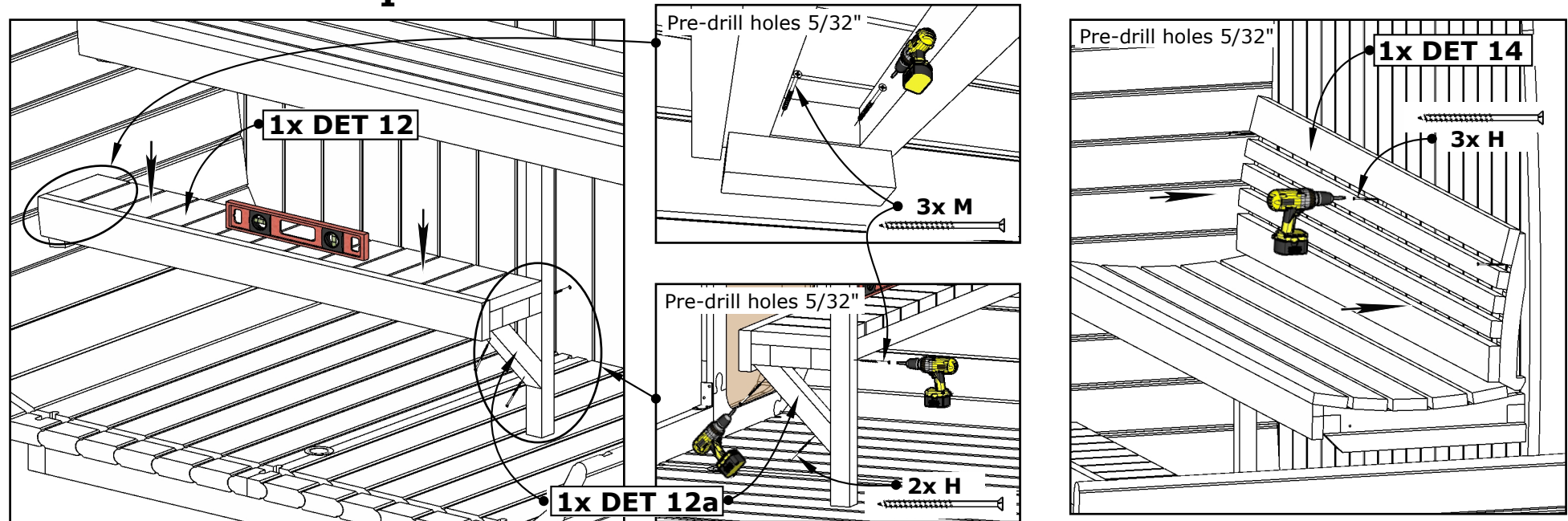
Use waterlevel for installation!



# CL4G Outdoor Sauna 50D" x 81W" x 83H"



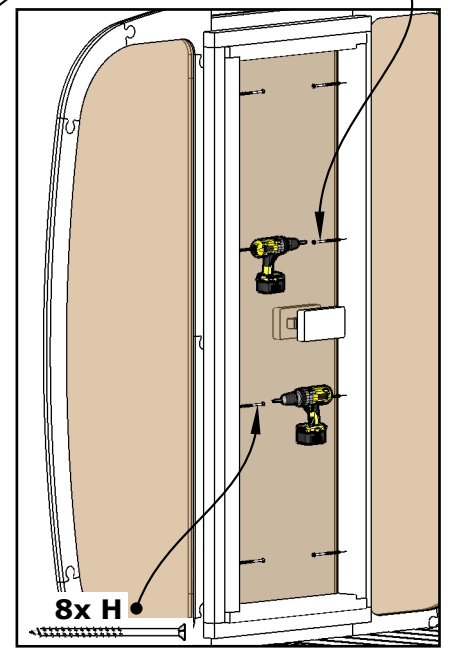
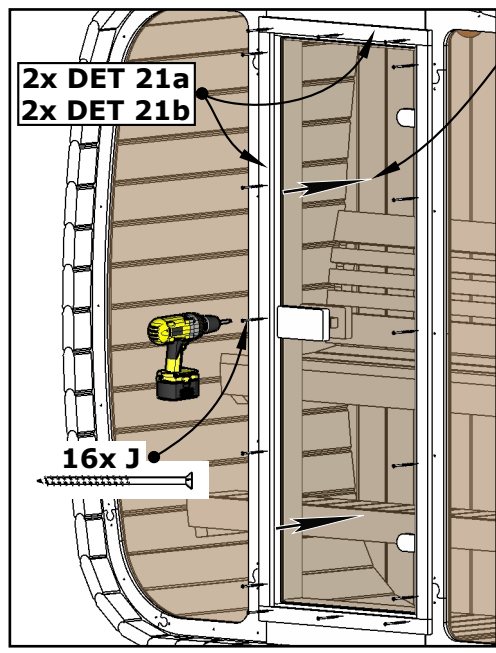
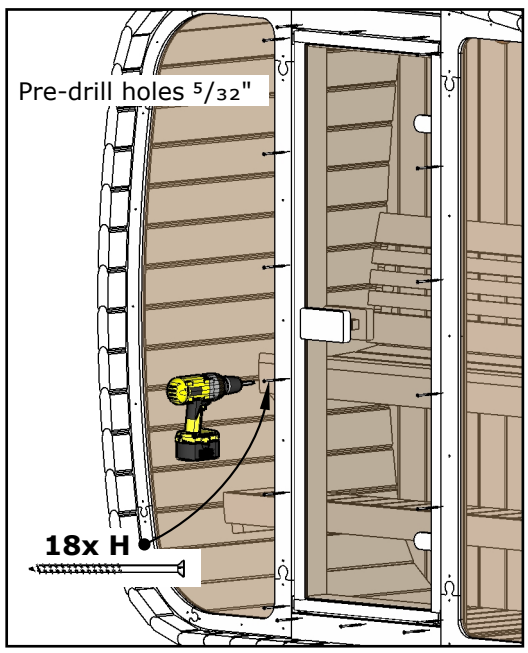
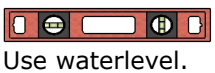
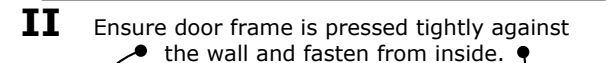
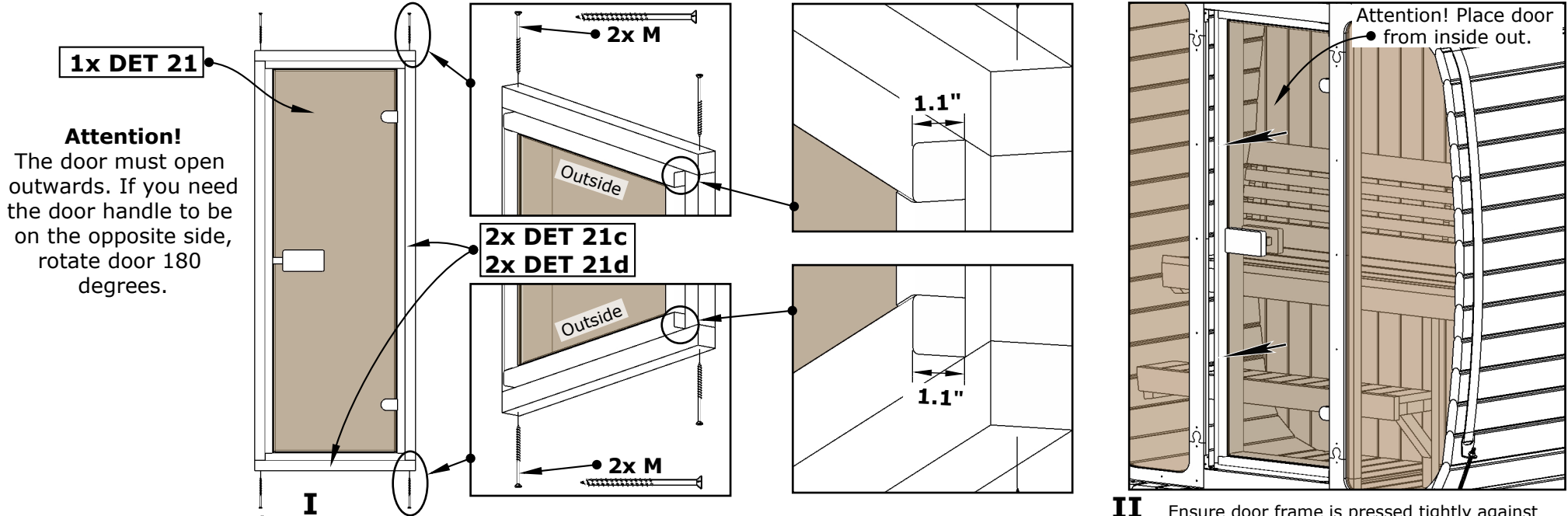
I



II

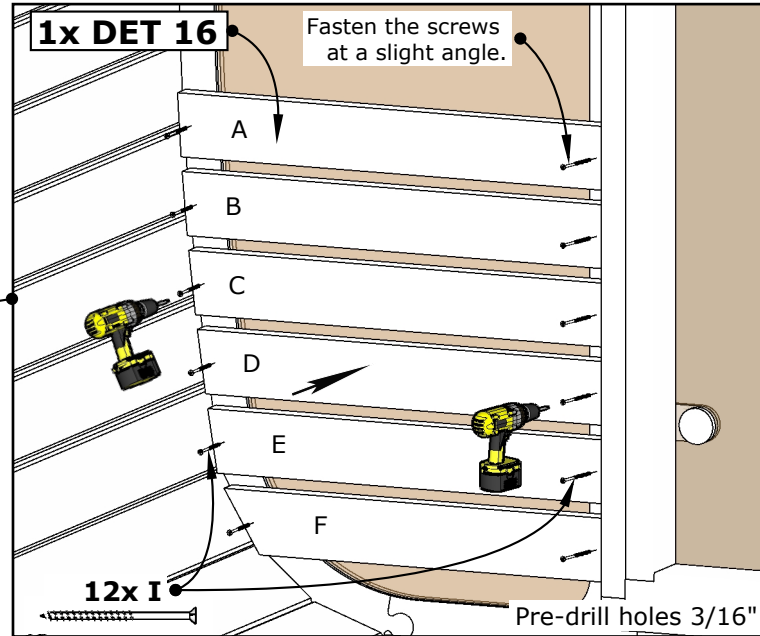
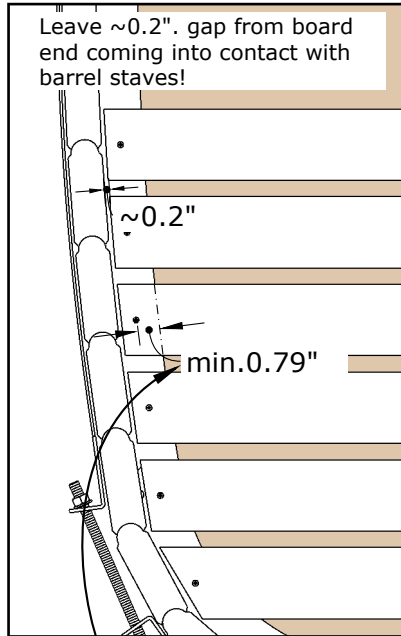
III

# CL4G Outdoor Sauna 50D" x 81W" x 83H"



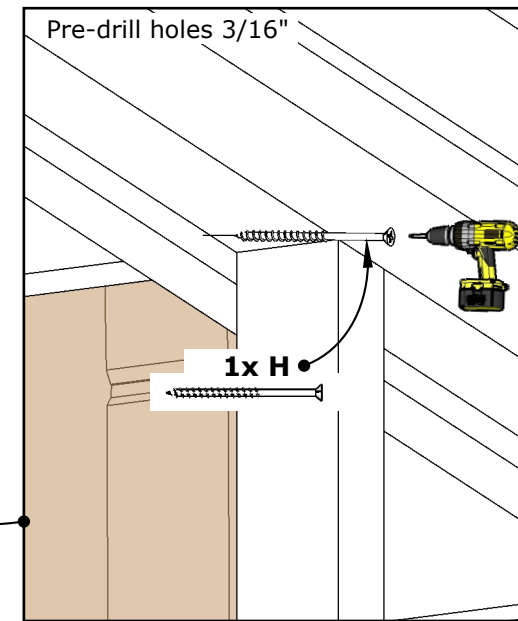
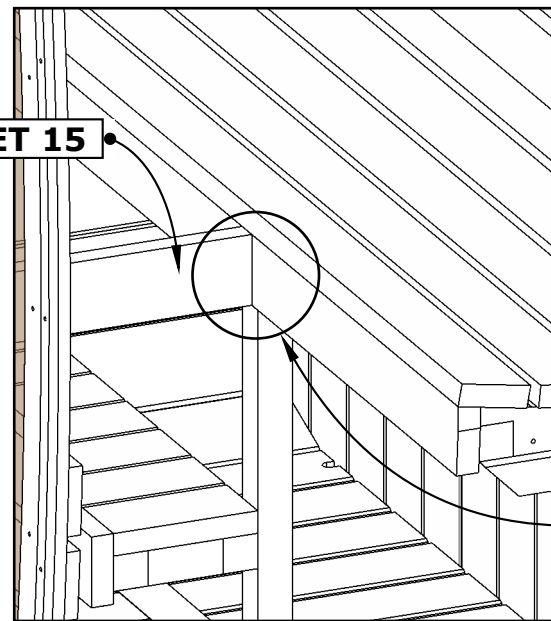
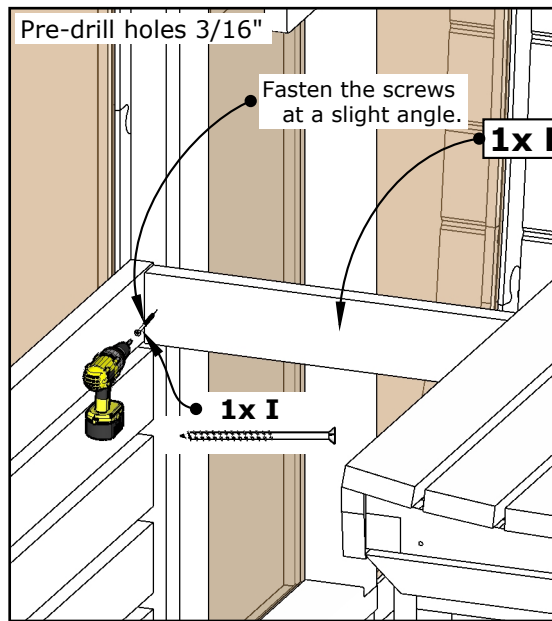
# CL4G Outdoor Sauna 50D" x 81W" x 83H"

Please be careful!!! Do not hit the glass with the screw.



Please be careful!!! Do not hit the glass with the screw.

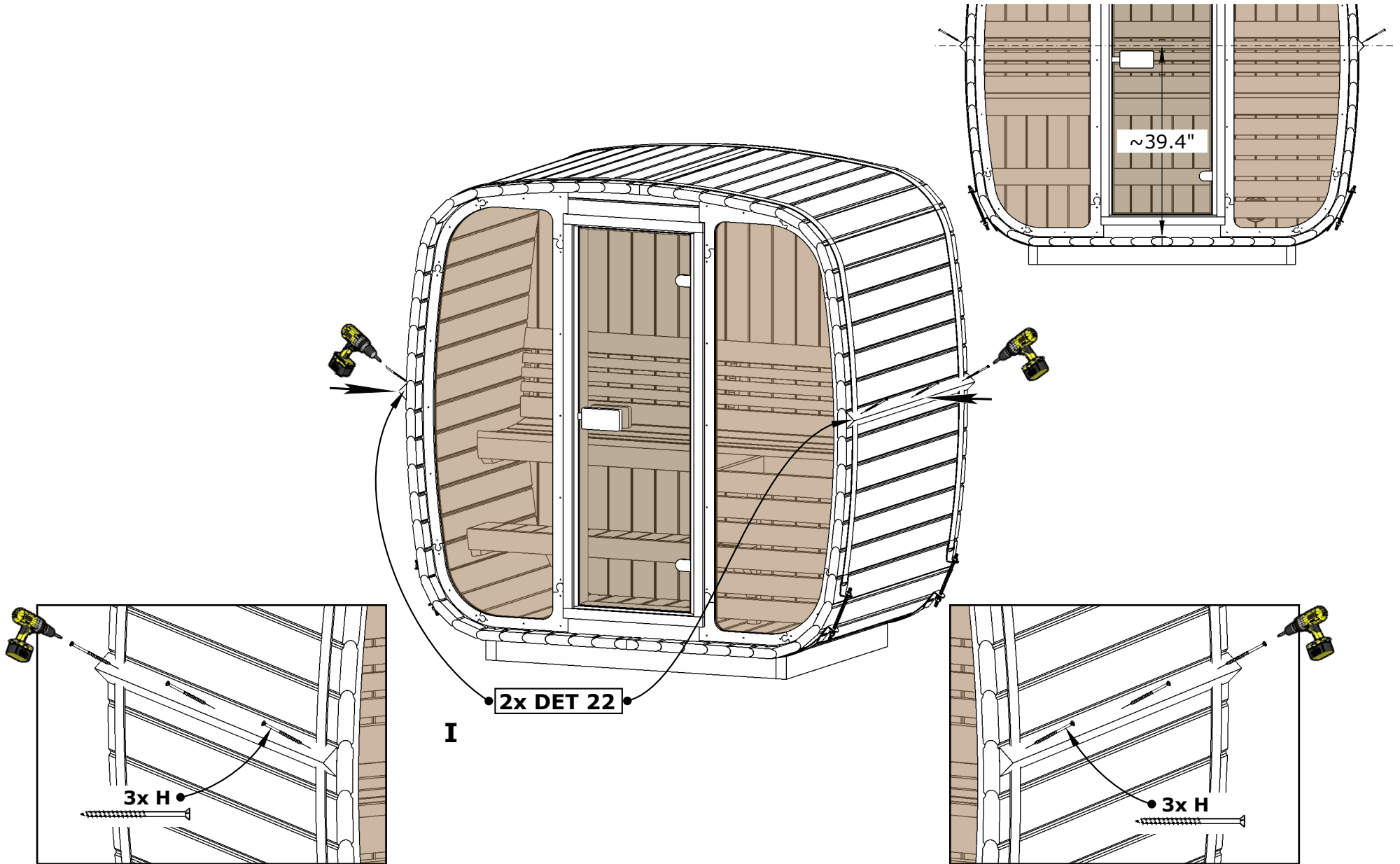
**I**



**II**



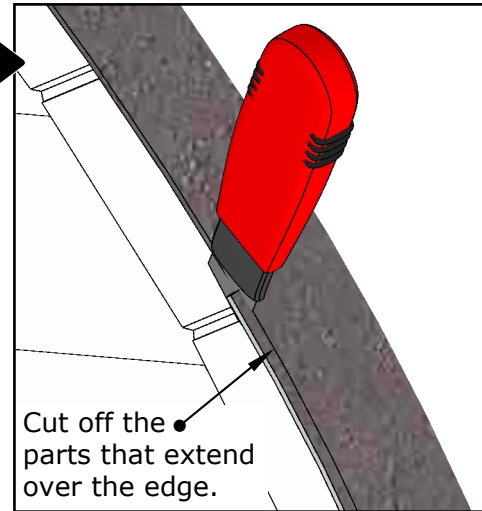
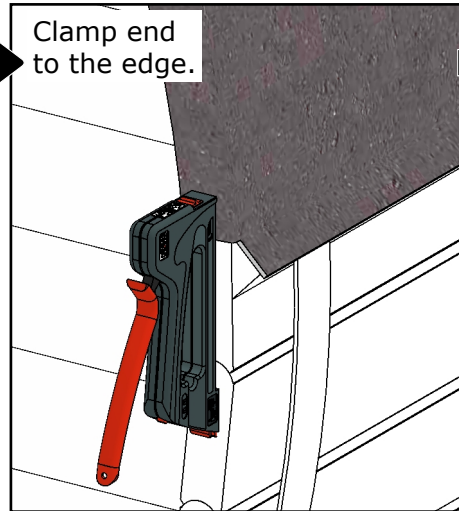
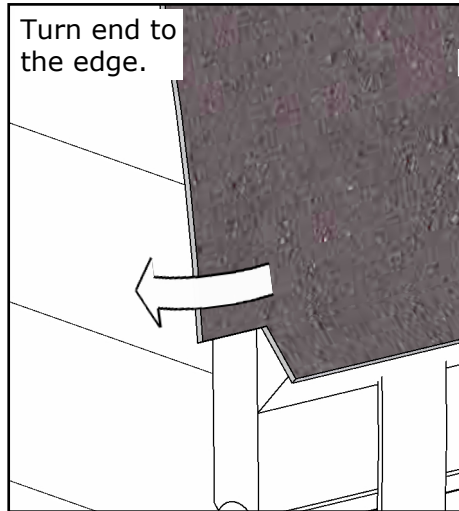
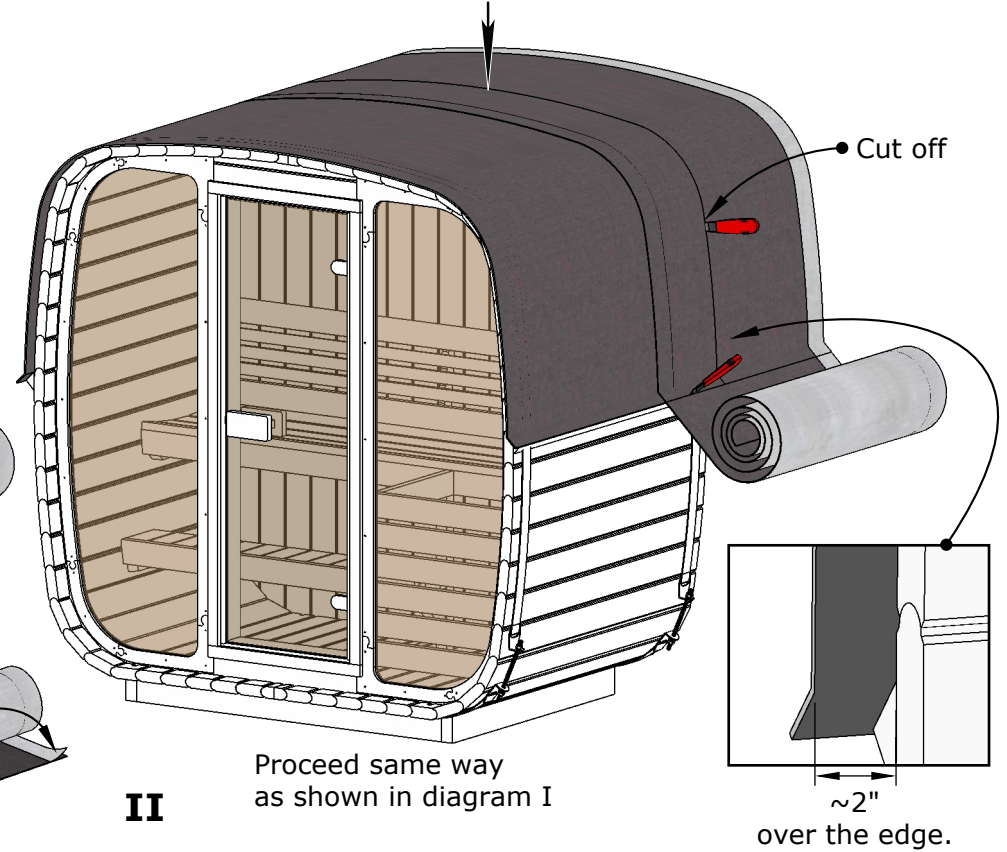
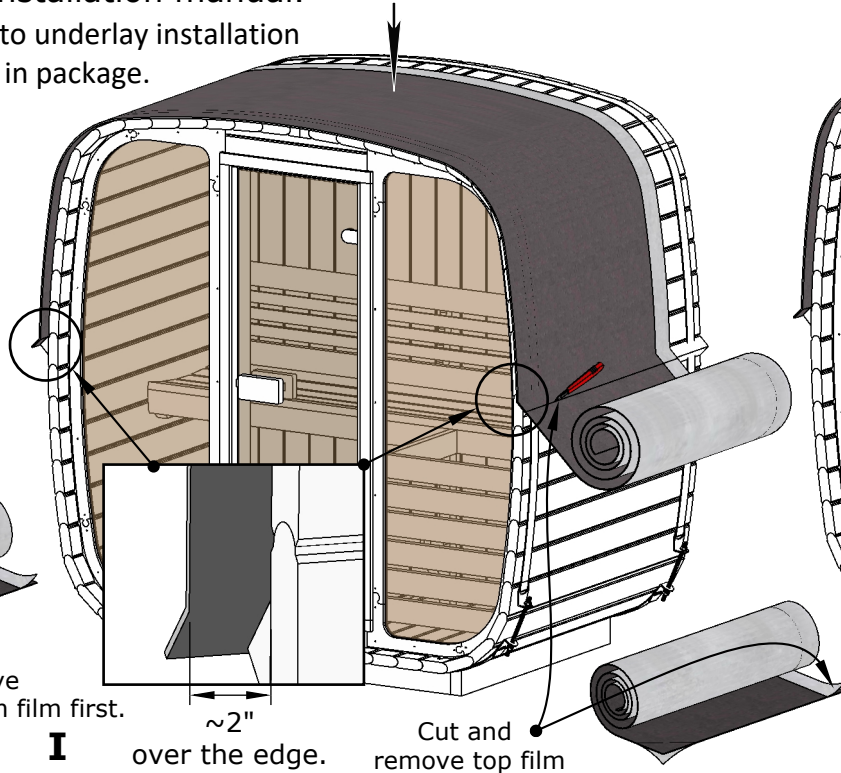
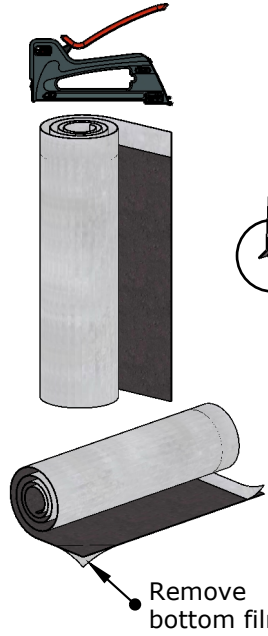
CL4G Outdoor Sauna 50D" x 81W" x 83H"



# CL4G Outdoor Sauna 50D" x 81W" x 83H"

Underlay felt installation manual.

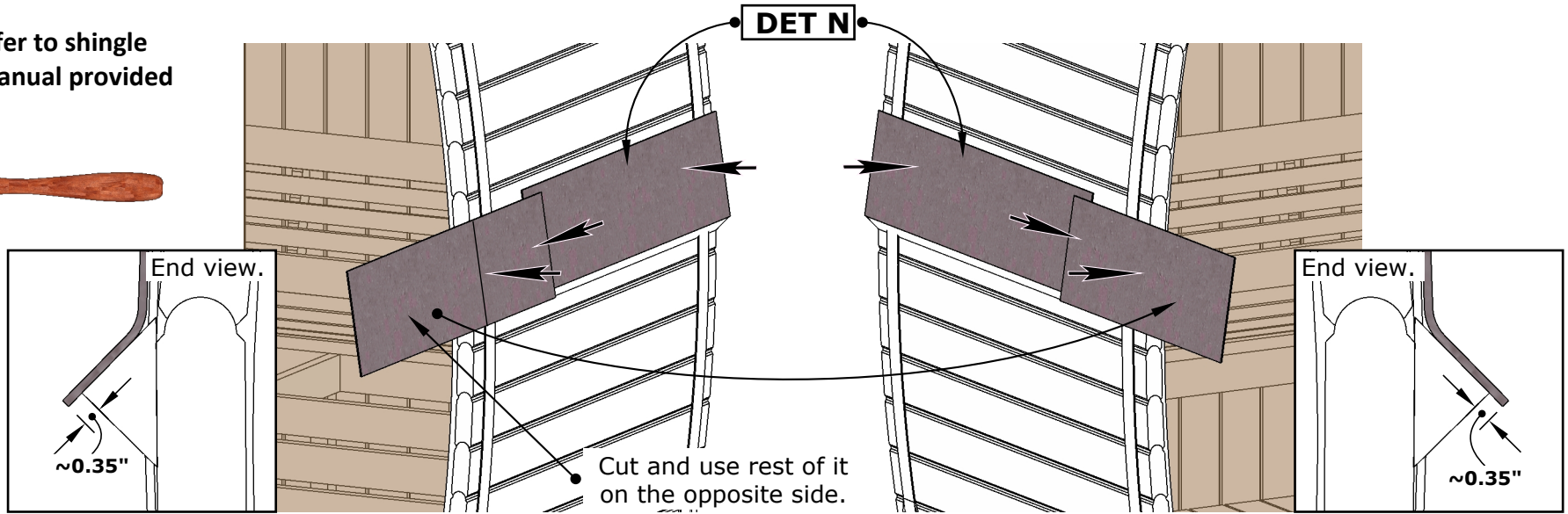
**Attention!** Refer to underlay installation manual provided in package.



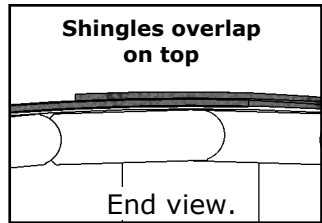
**III**

# CL4G Outdoor Sauna 50D" x 81W" x 83H"

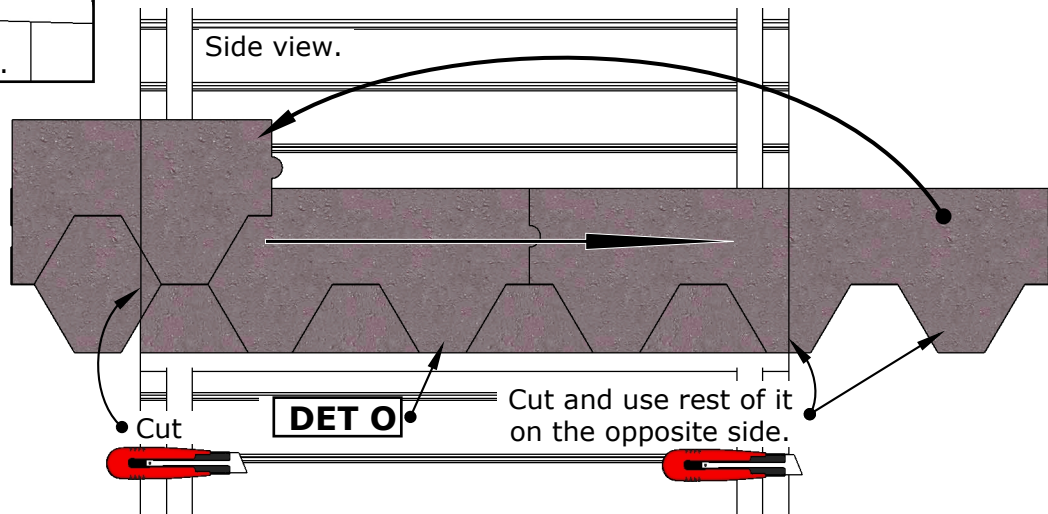
Attention! Refer to shingle installation manual provided in package.



I

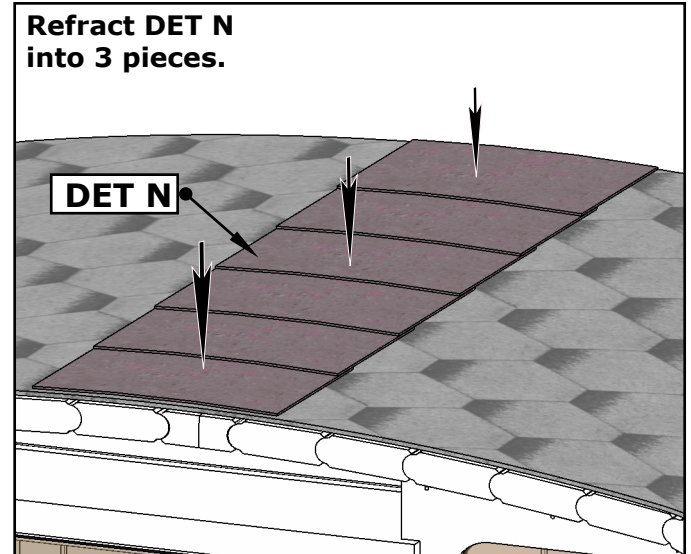


Attention! Refer to shingle installation manual provided in package.



II

Attention! Refer to shingle installation manual provided in package.



III

CL4G Outdoor Sauna 50D" x 81W" x 83H"

